

8

7

6

5

4

3

2

1

D

D

C

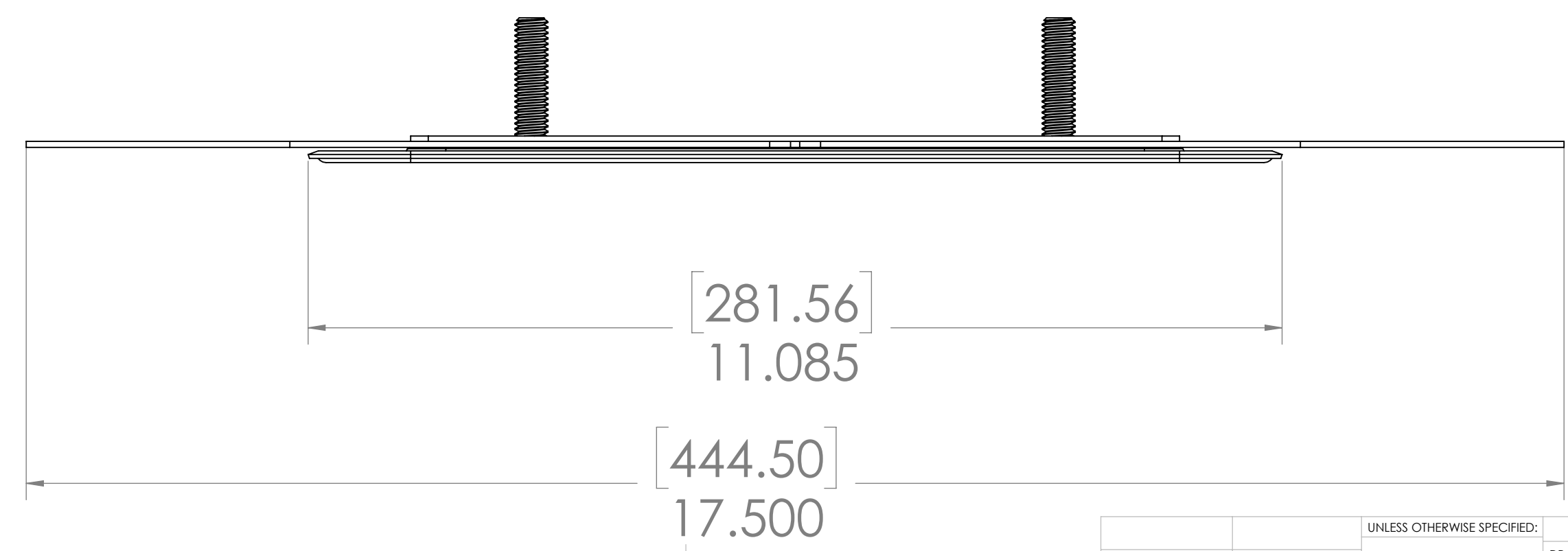
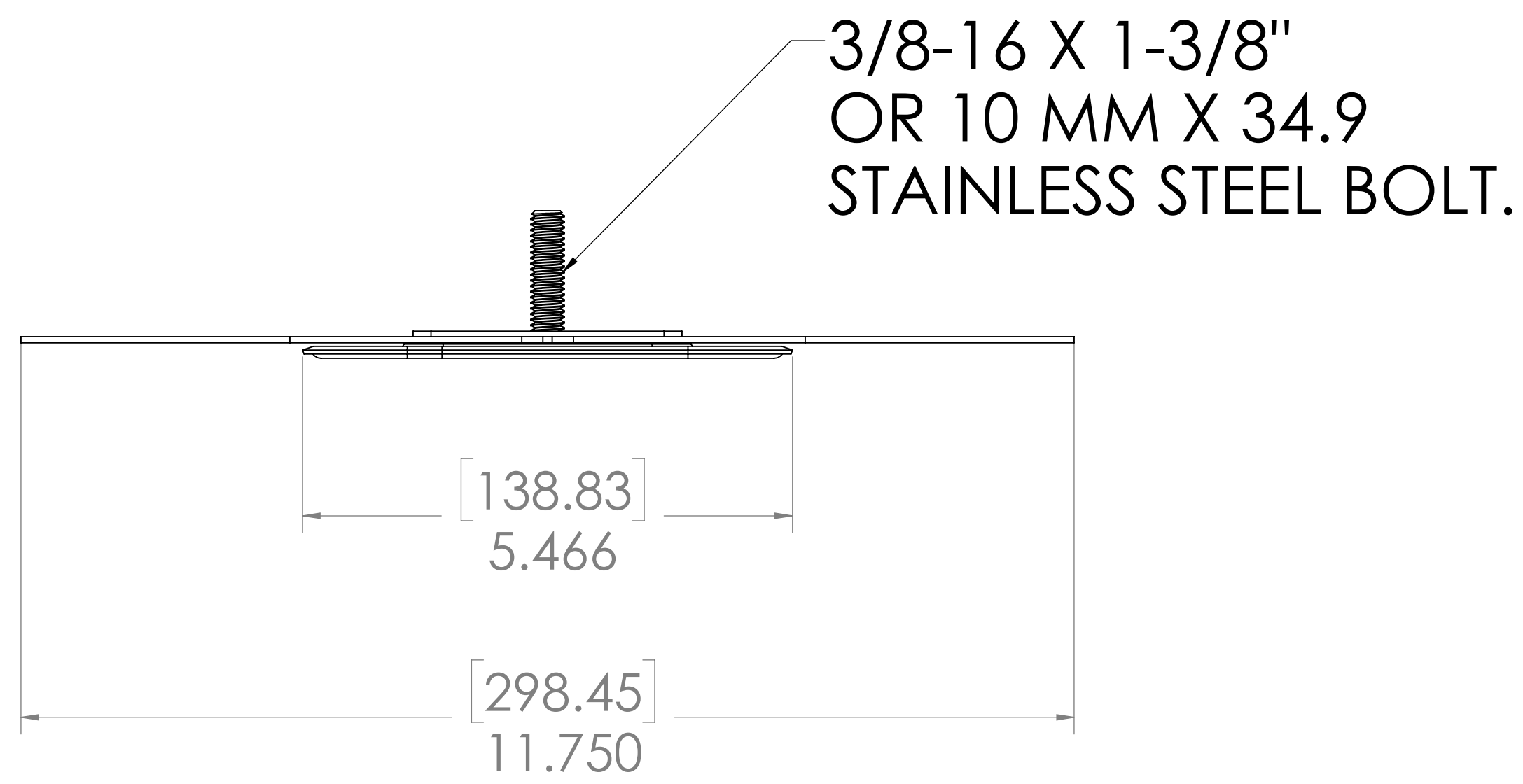
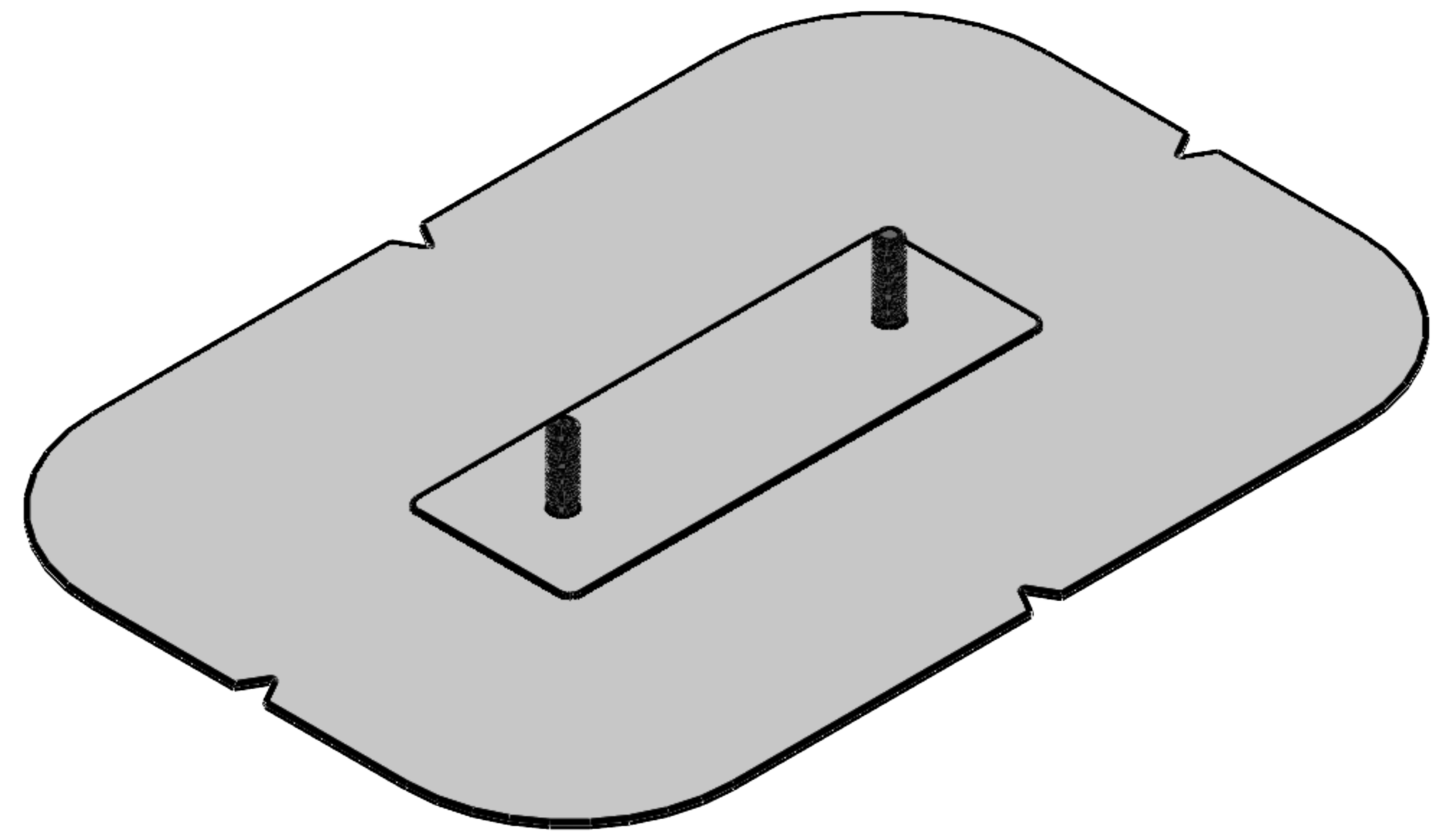
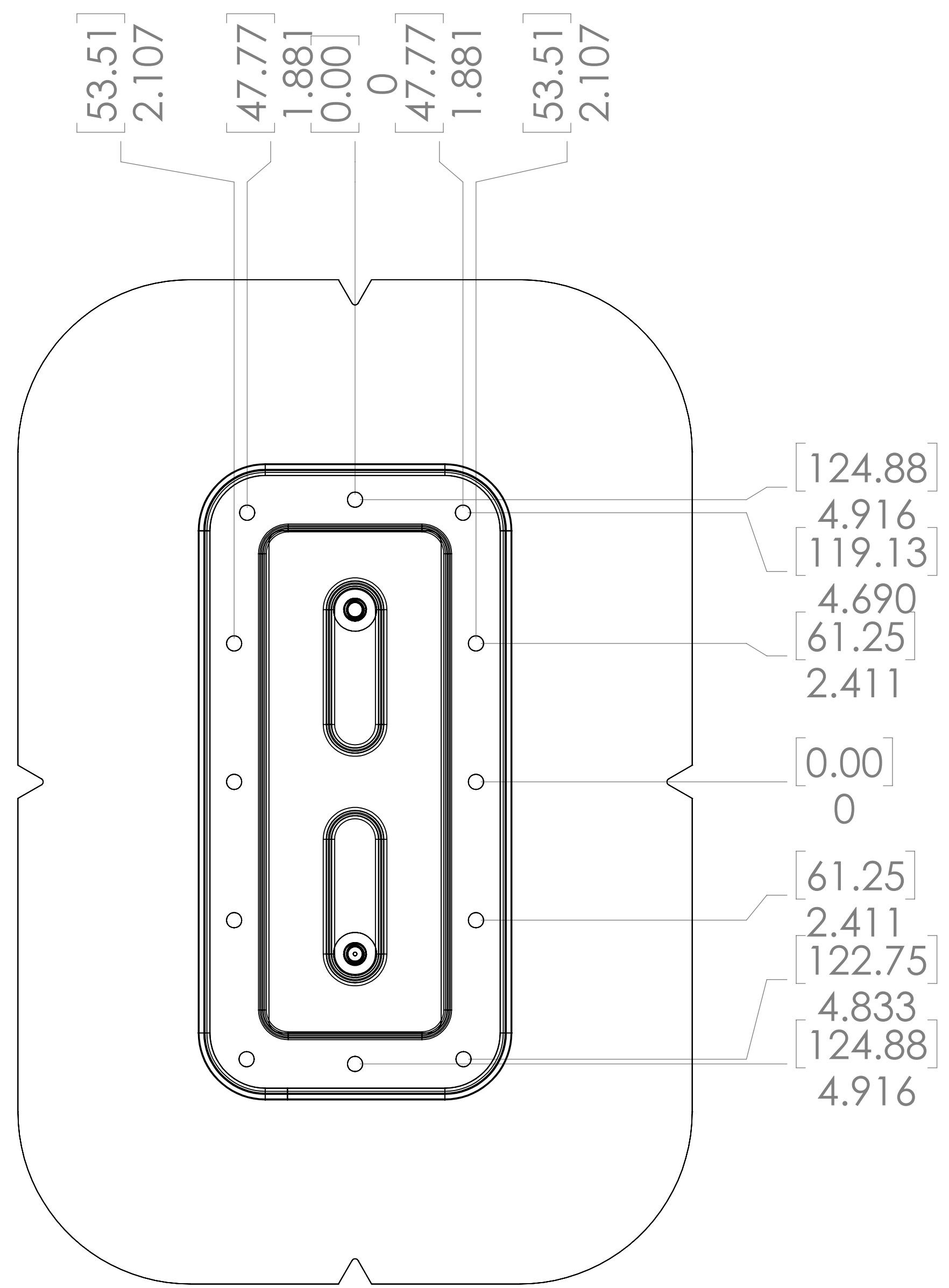
C

B

B

A

A



PROPRIETARY AND CONFIDENTIAL
 THE INFORMATION CONTAINED IN THIS DRAWING IS THE SOLE PROPERTY OF [REDACTED]. ANY REPRODUCTION IN PART OR AS A WHOLE WITHOUT THE WRITTEN PERMISSION OF [REDACTED] COMPANY NAME HERE IS PROHIBITED.

UNLESS OTHERWISE SPECIFIED:		NAME	DATE
DIMENSIONS ARE IN INCHES		GC	05/06/2019
TOLERANCES:			
FRACTIONAL: ±			
ANGULAR: MACH ± BEND ±			
TWO PLACE DECIMAL ±			
THREE PLACE DECIMAL ±			
INTERPRET GEOMETRIC TOLERANCING PER:			
MATERIAL:			
FINISH:			
APPLICATION:	DO NOT SCALE DRAWING		

TITLE:	U-ANCHOR 3800	
SIZE	DWG. NO.	REV
D	UA-3400	
SCALE: 1:2	WEIGHT:	SHEET 1 OF 1

8

7

6

5

4

3

2

1