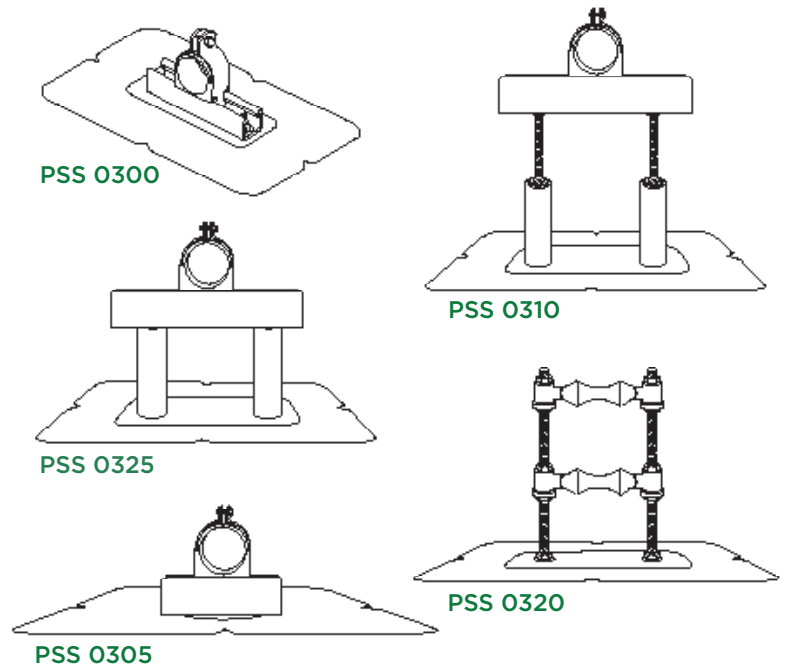


The AP Solution **PSS Roof Pipe** securement provides the perfect solution to safely secure your plumbing or conduit system to the roof.

The pipe securement solutions from Anchor Products give you a range of versatile options to create the perfect for your pipe support needs. The Roof Pipe securement system is secured by U-Anchor 3000 or 2000 Series Attachments are easily customized to meet specific project needs.

The Roof Pipe Securement System by Anchor Products, is the only pipe support system in the market that is attached with a water-tight anchor that is accepted by all major North American roofing manufacturers and will not void your roof warranty when properly installed.



PIPE SYSTEMS SECUREMENT

ASCE 7-16 code requires all rooftop equipment to be bolted, welded, or otherwise positively fastened without consideration of frictional resistance.



FEATURES:

- » Advanced system incorporating U-Anchors strength to better secure pipes in adverse seismic conditions.
- » Can be used with nearly any manufacturers pipe support system to provide proper securement.
- » U-Anchors when installed properly will perform as designed for the life of the roof without any harm to the roof material.
- » Versatile system can be installed flush with the roof surface or up to 14” in height* and from 8” to 48” wide**, the perfect pipe support and securement system secured by the U-Anchor 3000 or 2000 Series Attachments. (*For greater than 14” heights see our H-Frame and MEP Frame Systems.**For greater than 48” wide a custom solution using additional supports is available)

ADVANTAGES

- » System provides incredible flexibility in developing a custom solution to meet your needs with more than 700 different configurations and sizes.
- » Can be used to support one pipe or multiple pipes as needed.
- » PSS can easily be installed as a retrofit securement system on an existing roof and pipe project as needed to eliminate problematic pipe migration.

Contact **Anchor Products Technical Services** for assistance with your custom mounting solution.

WARNING! The products included/described herein are protected by patents that are exclusively licensed to Anchor Products (visit www.anchorp.com/patents for details). Any use of Anchor's products for anything other than their expressed intended purpose or installation other than according to the written instructions provided by Anchor Products shall void all warranties, representations and promises related to the products and Anchor Products disclaims any and all liability associated with the products in such an event. If you have any questions about the proper use or installation of the products, please contact Anchor Products at 888-575-2131.