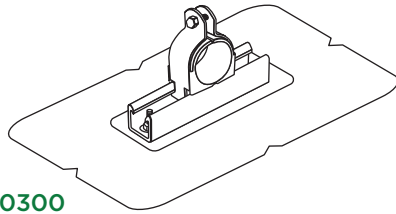


# PSS

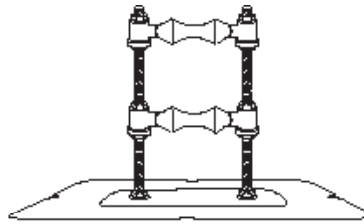
## ROOF PIPE SECUREMENT



The AP Solution **PSS Roof Pipe** securement is your solution to safely securing your pipes to the wall or the roof, vertically or horizontally. The Pipe Securement Solution from Anchor Products provides a wide range of options to create the perfect solution for your pipe support and securement needs. Customize your system further by choosing the specific pipe clamps with sleeves or rollers to meet your design specifications. Your support system can include a combination of the following parts:

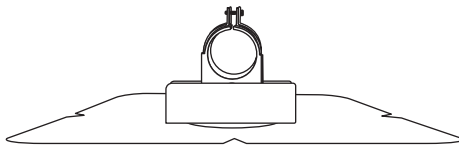
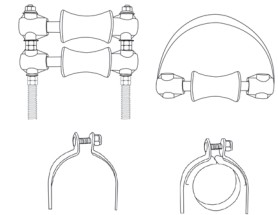


PSS 0300

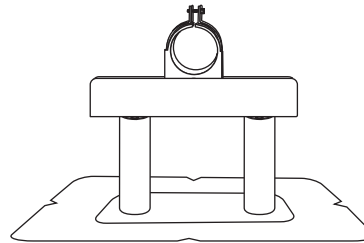


PSS 0320

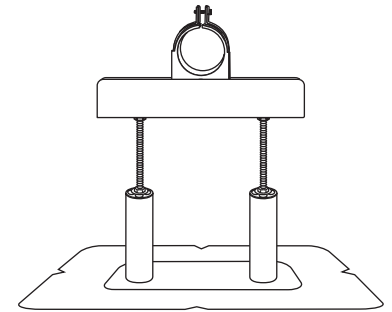
### Pipe Clamping Accessories



PSS 0305



PSS 0325



PSS 0310

## PRODUCT SPECIFICATIONS



### Support Strut

- Dimensions: 1-5/8" x 1-5/8" x 12"
- Material: Powder Coated Galvanized steel
- Lengths available: 8", 12", 16, 24"- 48"

### All Thread

- Dimensions: 3/8"-16 x 8"
- Material: Stainless Steel

### Extension Post

- Dimensions: 2-1/4" x 8"
- Material: Aluminum

### Connection Nut

- Dimensions: 3/8"-16 x 2" - Wrench 5/8"
- Material: Stainless Steel

### Pipe Clamp

- Dimensions: As per design
- Material: Galvanized steel

### Pipe Clamp with Cushion

- Dimensions: As per design
- Material: Galvanized steel

### Roller with Guide

- Dimensions: As per design
- Material: Hot Dipped Galvanized steel or Polycarbonate

### Double Roller

- Dimensions: As per design
- Material: Hot Dipped Galvanized steel or Polycarbonate

All representations herein are premised on proper installation and use of approved components. Failure to properly install or use of unapproved components voids all Anchor Products representations.

\* Specified option is standard. Custom options may be available for additional charge. Lead times may apply depending on roofing manufacturer and product availability.