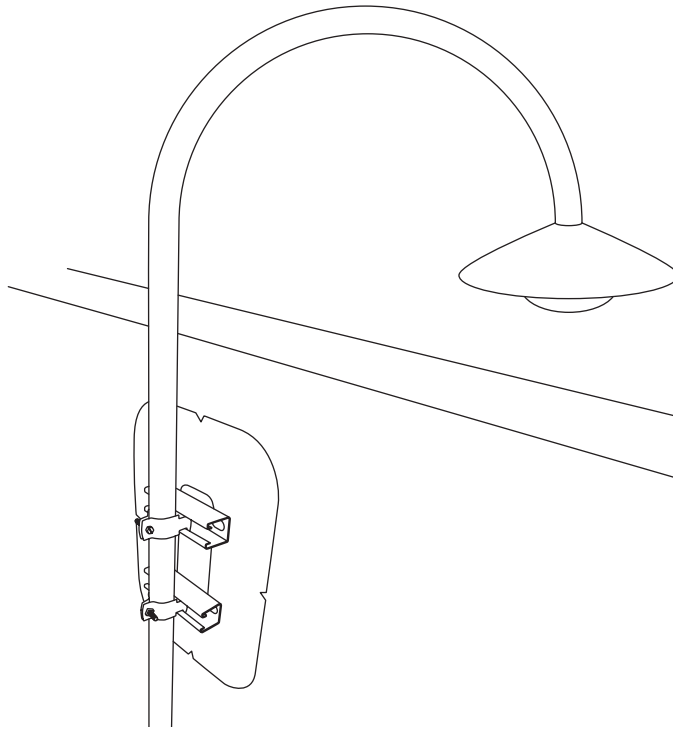


LMK 0510

LIGHT MOUNT SECUREMENT



The AP Solution **LMK 0510 Light Mount** securement provides an easy solution for installation, a secure base, and assurance that your rooftop lighting system is up to building code and specifications. The exterior light mount system uses the U-Anchor 3000™ Series Attachments to provide extreme strength. Each commercial rooftop lighting system is developed with your commercial roof in mind.



PRODUCT SPECIFICATIONS



Strut Connection

- Material: Powder Coated Galvanized Steel
- Dimensions: 1-5/8" x 1-5/8"-8"

Mating Plate

- Dimensions: 9" x 7" x 1/8" (hole patterns as per design)
- Material: Stainless Steel

Additional Options

- Custom Colors available
- Roof and Wall Mount options available

U-Anchors match roof materials and brand.

U-Anchor safely attaches to EPDM, TPO, PVC, asphalt and coated roofs without damaging roof surface.

Holding value of each U-Anchor attachment can exceed 3000 lbs. in tension and 4000 lbs. in shear.

All representations herein are premised on proper installation and use of approved components. Failure to properly install or use of unapproved components voids all Anchor Products representations.

* Specified option is standard. Custom options may be available for additional charge. Lead times may apply depending on roofing manufacturer and product availability.