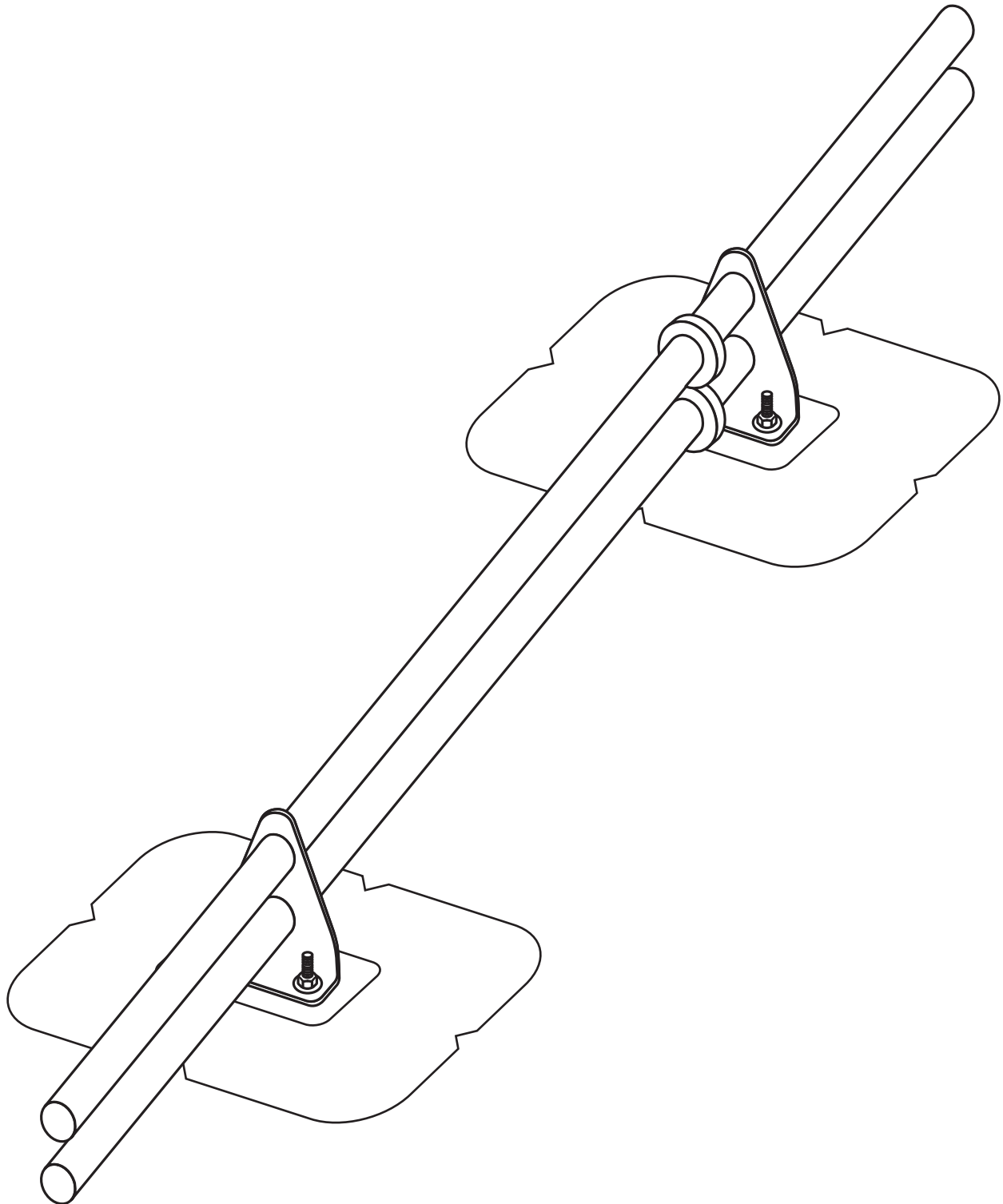


# 2-Pipe Snow Fence

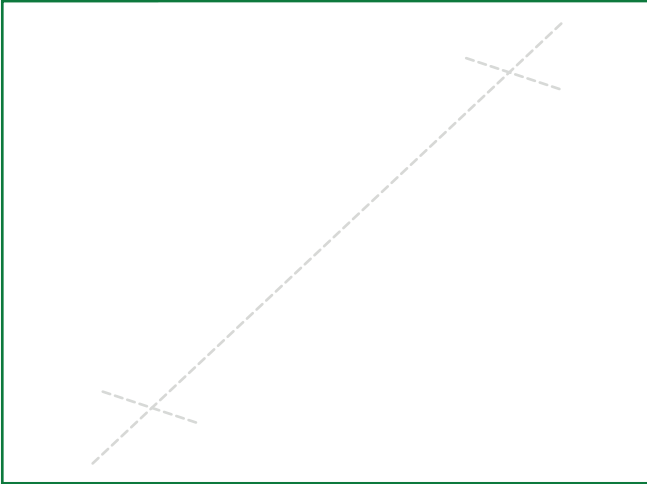
SRS 0220 Install Instructions



# SRS 0220 Install Instructions

NOTE: Before installing, determine the location of the Snow Fence by measuring 12"-18" upslope from the outside of the exterior structural load-bearing wall at the eave on both ends of the roof.

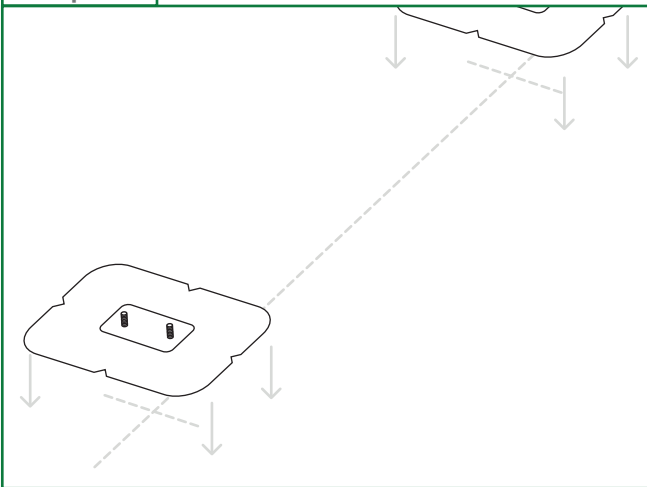
## Step 1



Mark the first row using a chalk line to maintain a straight line.

**NOTE: Do not use red chalk, as it may stain the roof surface.**

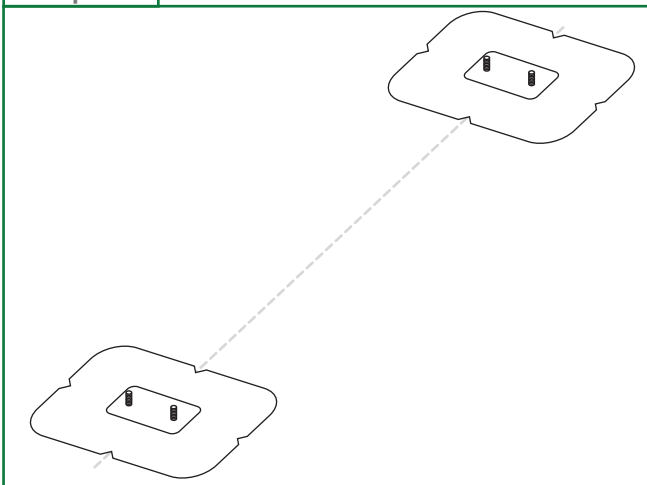
## Step 2



Align the first and last U-Anchors of the run on the chalk line 6"-12" from the rake edges.

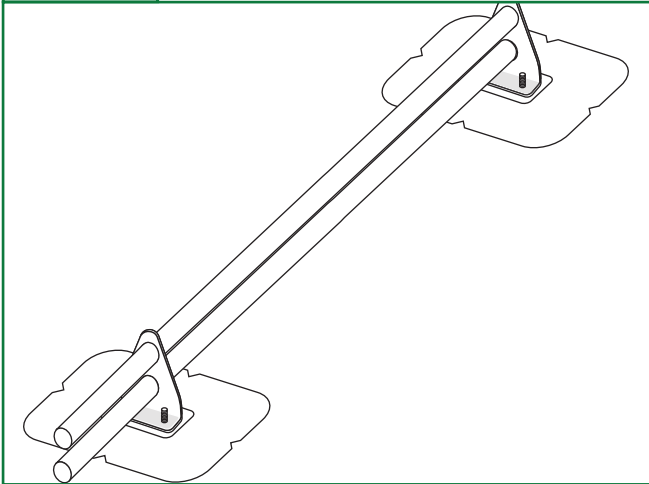
**NOTE: Fence cannot cantilever more than 12" beyond the bracket. Snow fence run(s) cannot exceed 100 ft. If more than 100 ft. in length, multiple assemblies will be required along the same line.**

## Step 3



Once aligned, fasten the U-Anchors over the roofing membrane to the deck using the specified type and quantity of fasteners as per design requirements.

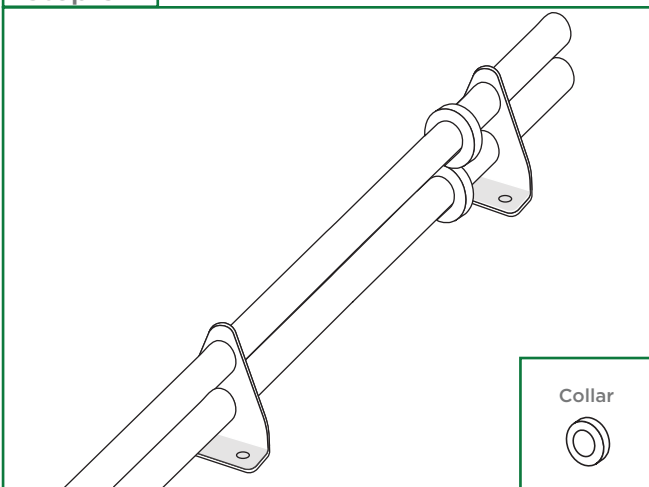
## Step 4



Evenly space the remaining U-Anchors on the chalk line, not exceeding the design maximum spacing, and fasten them accordingly. (Steps 2 and 3)

Confirm proper alignment by inserting the pipes temporarily into the snow brackets and placing on the U-Anchor. Once alignment is confirmed, remove temporary assembly, and properly seal the membrane cover as per roofing manufacturer recommendations

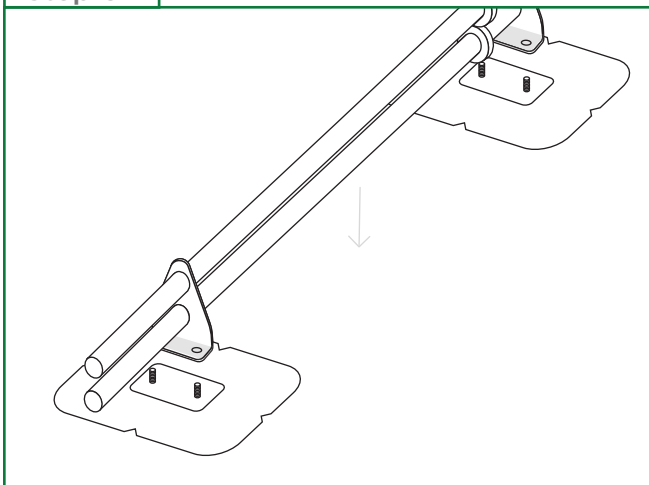
## Step 5



Slide the correct number of brackets onto the first top and bottom pipes, as per instructions provided by Anchor Products and in compliance with the roofing manufacturer requirements.

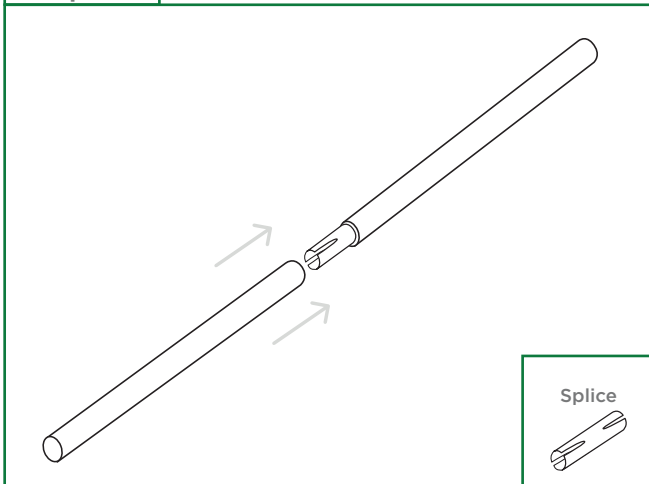
**NOTE: On the first pipe & bracket assembly, a collar should be placed onto the top and bottom pipes inside the first bracket and left loose at this point. -- A collar will only be used on the inside of the first and last bracket of a 100 ft. or less assembly.**

## Step 6



Place the pre-assembled 8 ft. section of pipe and bracket onto the U-Anchor 3400-S, installed in STEP 4.

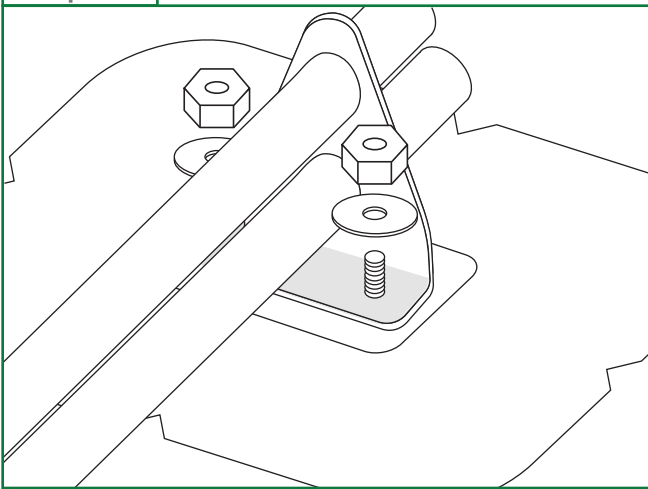
## Step 7



Insert a splice provided into the end of each pipe and tap the splice into the pipe approximately 3 inches. Repeat the step for each 8 ft. section of assembly, connecting the pipe with the splice.

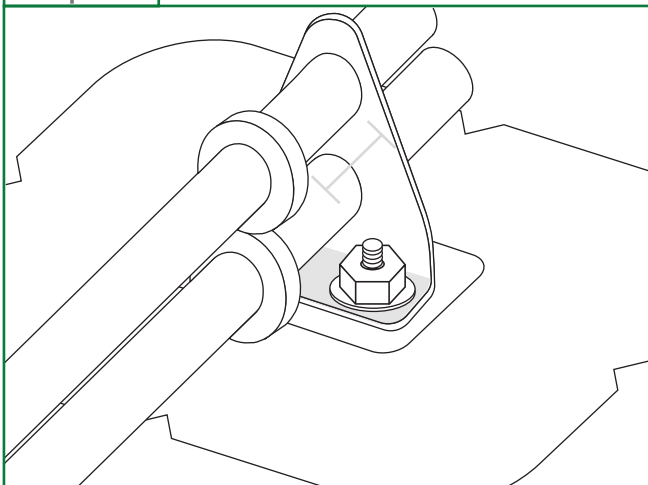
Repeat the process until the end of the Snow Fence run. Splices must NOT be within 6 inches of a bracket. Prior to the last bracket, place a collar on both the top and bottom bar.

## Step 8



Connect the bracket using the provided Washers and Nuts to approximately 20-25 ft./lbs. each.

## Step 9



Position the collars approximately 1-2 inches from the inside edge of the first and last bracket of the run and tight the set screw. Then, insert end caps into the end of each of the Snow Fence bars.