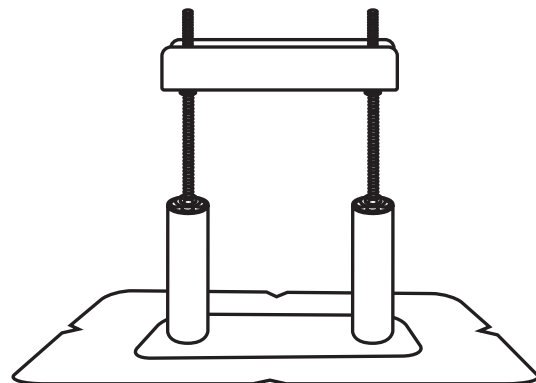
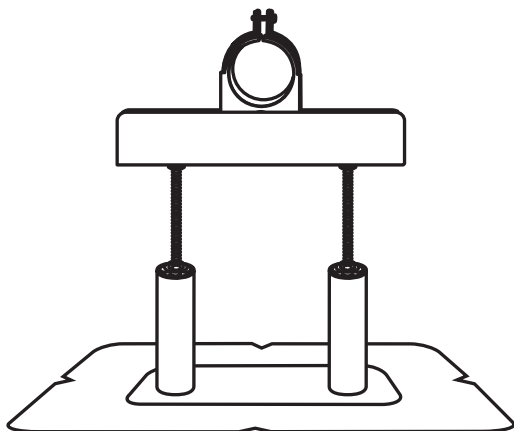
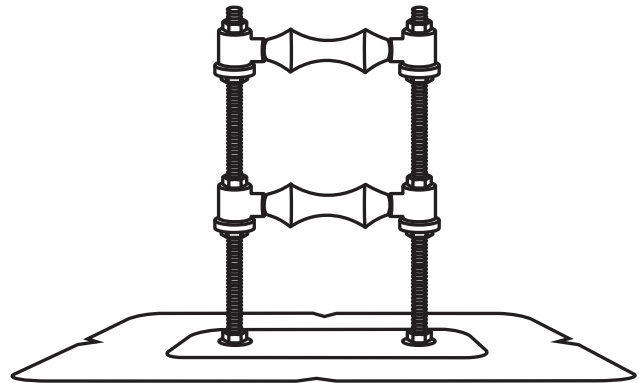
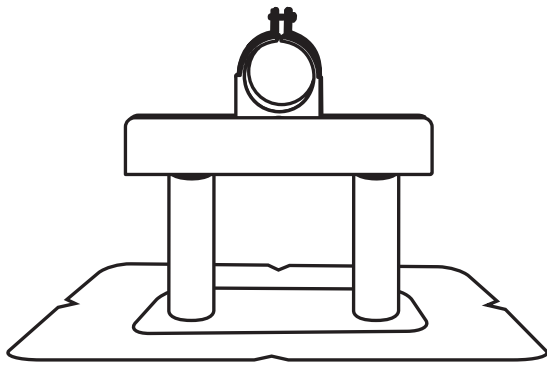
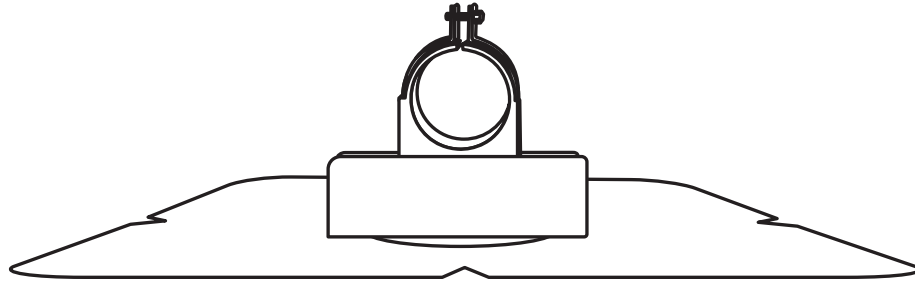


Roof Pipe Securement

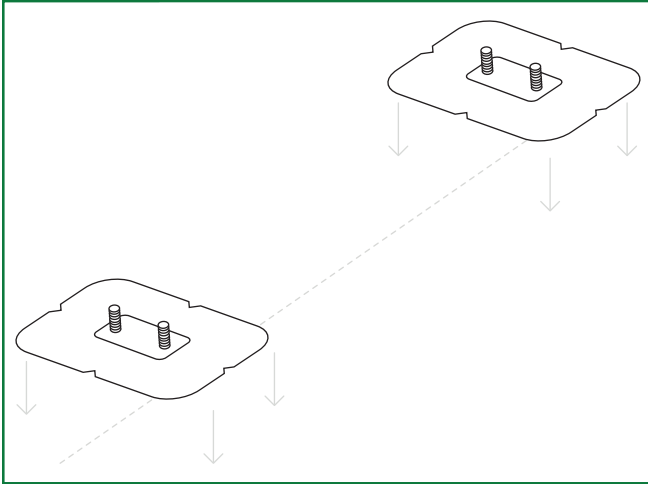
PSS Install Instructions



PSS Install Instructions

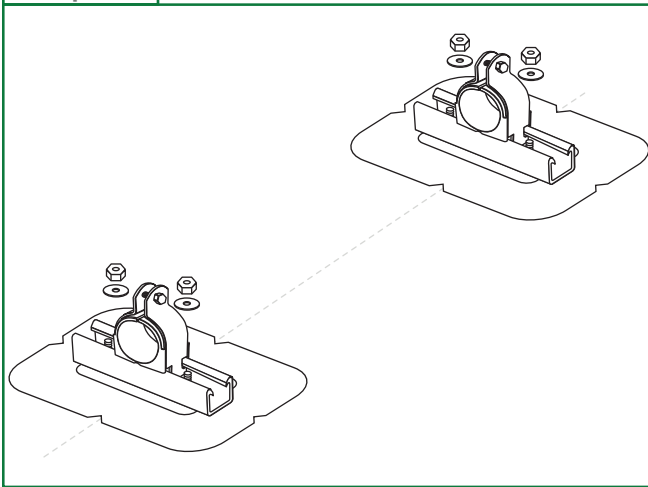
- 3 Height Options:
- A. Max Height 1 5/8"
 - B. Max Height 8"
 - C. Max Height 14"

Step 1



Align the U-Anchor as per design requirements, then install the U-Anchor as per instructions provided by Anchor Products.

Step 2



Align the U-Anchor as per design requirements, then install the U-Anchor as per instructions provided by Anchor Products.