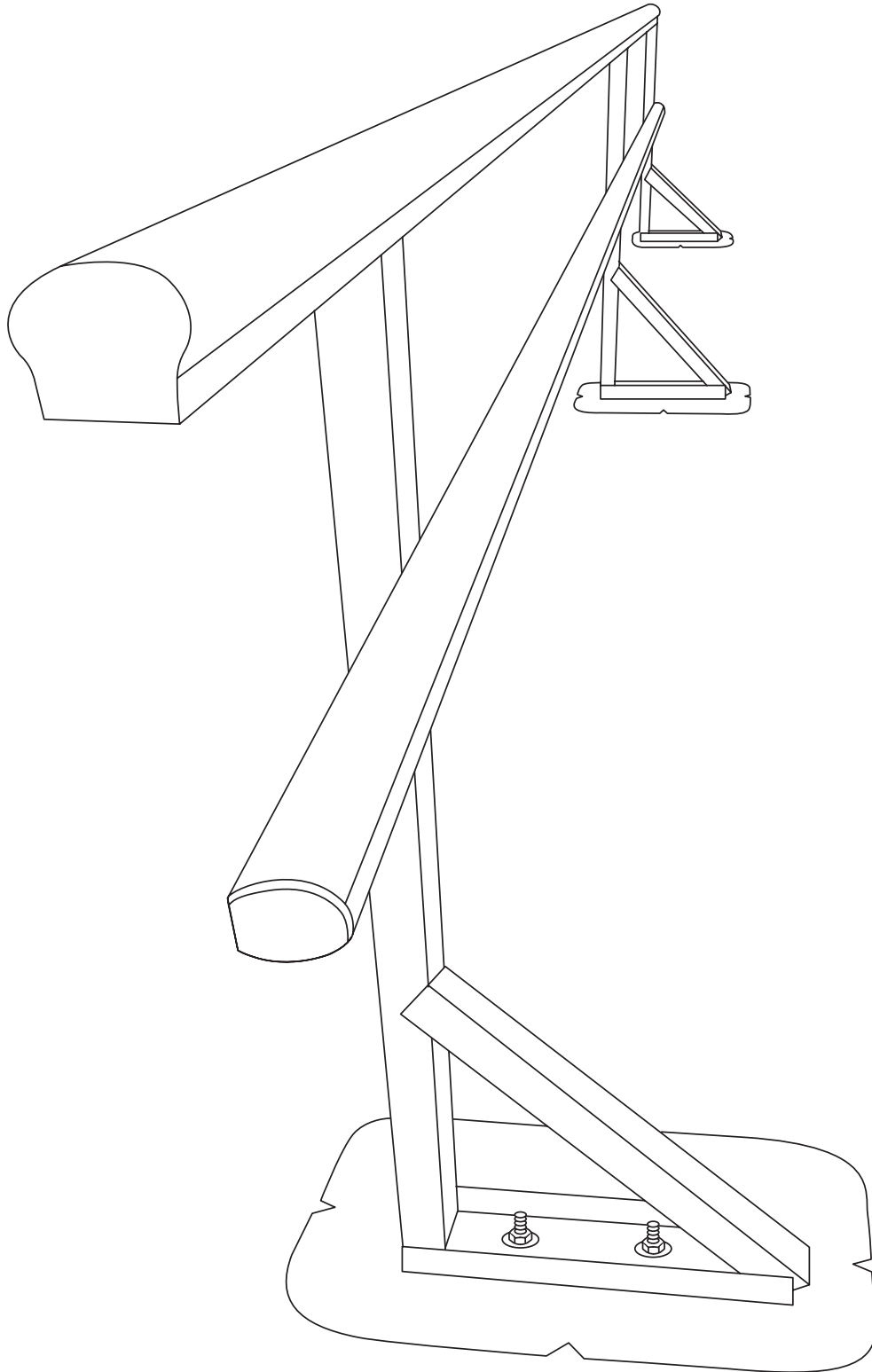


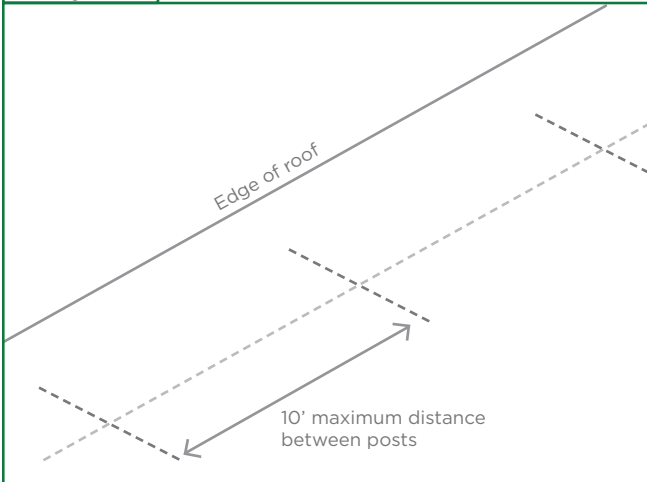
Roof Mounted Guard Rail

GRD 0100 Install Instructions



GRD 0100 Install Instructions

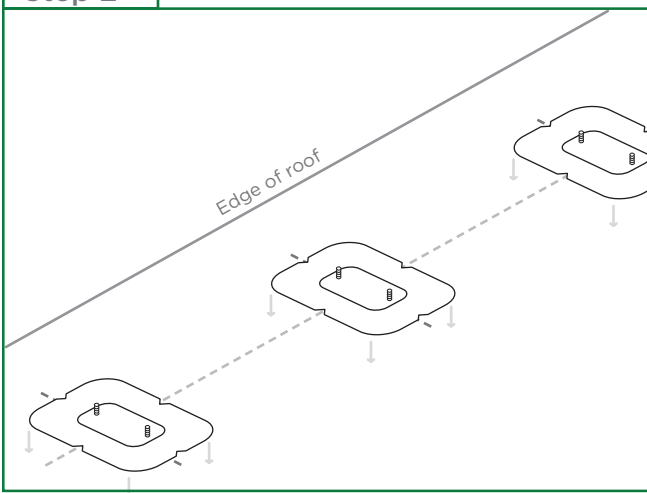
Step 1



Determine location of the guardrail as per the engineered design. Convey the design to the roof surface using non-staining chalk to mark line.

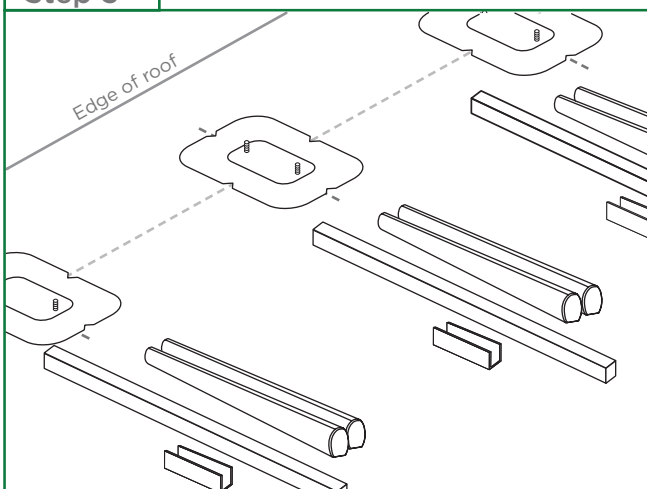
Note: U-Anchor spacing cannot exceed 10' on center.

Step 2



Align the U-Anchor as previously outlined. Use U-Anchor notches to mark your plot lines for the positions of the posts. Install the U-Anchor as per-product specific installation instructions.

Step 3



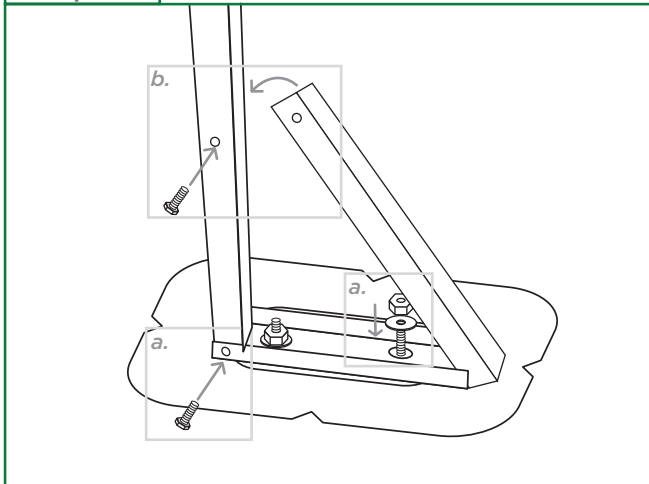
Layout the Handrails, Knee Rails and Post Components as per the project-specific design. Ensure splice joints will not be installed directly over the posts.

Note: Guardrail should NEVER overhang any end post or corner more than 12".

Lay objects on roof



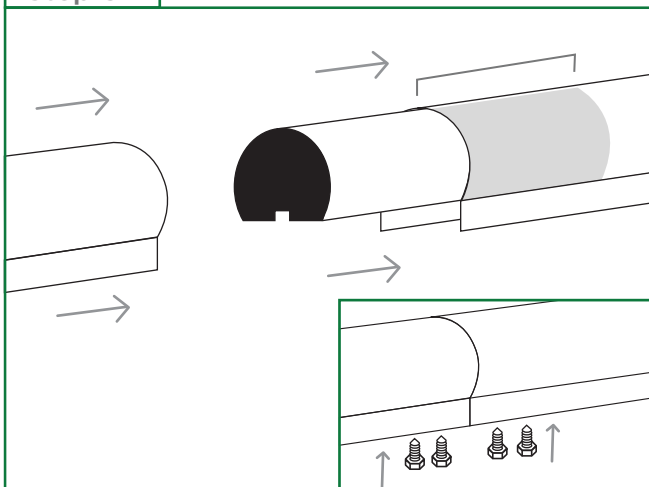
Step 4



a. Assemble the posts as shown. Align the post assembly over the U-Anchor, attach using provided washer and flange nut.

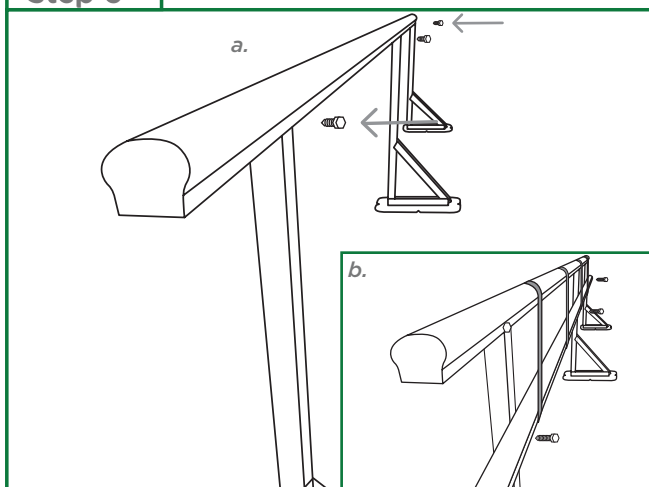
b. Bring the post to plumb and fasten the support brace to the vertical post, using provided self-tapping screws.

Step 5



Insert the handrail and knee rail splice joints halfway into the respective rails. Fasten the splice joint with four (4) $\frac{3}{4}$ " fasteners per splice (Two (2) into each side of the splice.) Ensure that the handrails are tight together before fastening the final two screws.

Step 6



a. Install handrail over the post and fasten, using the provided self-tapping screws.

b. Then install knee rail, using the spacer hanger provided, and attach to vertical post using provided self-tapping screws.