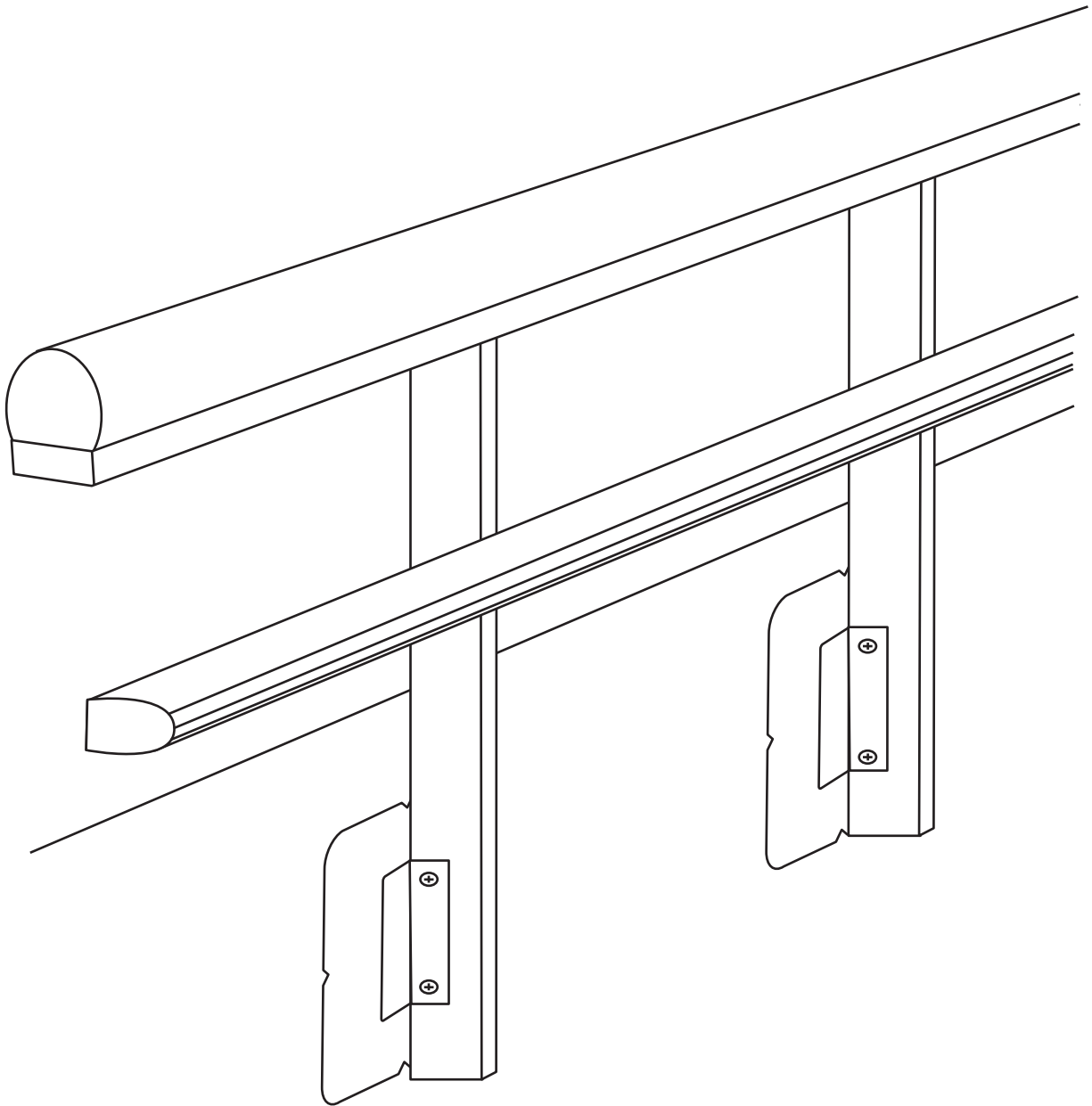


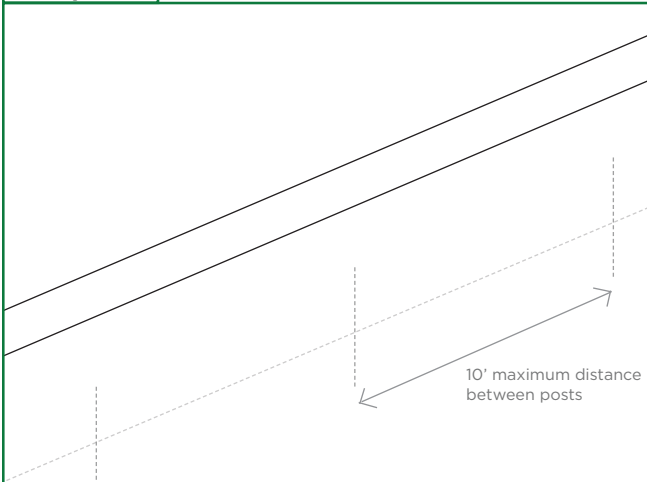
Wall Mounted Guard Rail

GRD 0110 Install Instructions



GRD 0110 Install Instructions

Step 1

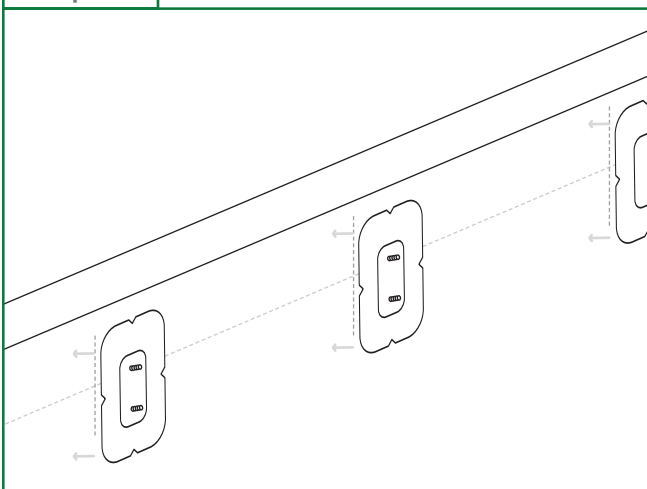


Determine location of the guardrail and direction of the base channel in relation to the post, then mark the center line of the base with a non-staining chalk line.

Note: Guardrail should never overhang any end post or corner more than 12 inches.

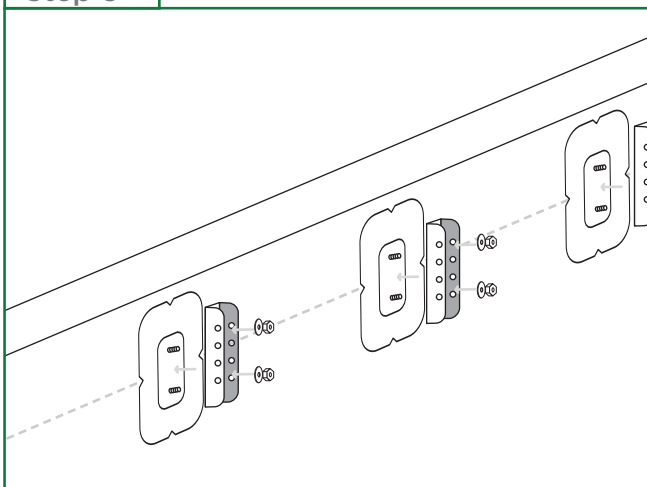
U-Anchor spacing cannot exceed 10' on center.

Step 2



Install first U-Anchor of the run centered on the chalk line using the notches cut in the skirt on the U-Anchor, according to the U-Anchor Installation instructions. Repeat step for each U-Anchor to be mounted.

Step 3

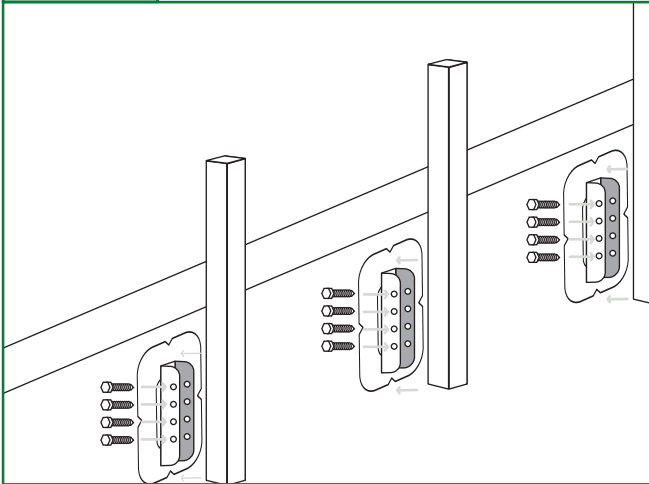


Install Wall Mounted Guardrail Bracket by lining up factory drilled holes with the bolts on the U-Anchors. Then, attach each bracket to the U-Anchor using the hardware included.

GRD 0110 Install Instructions

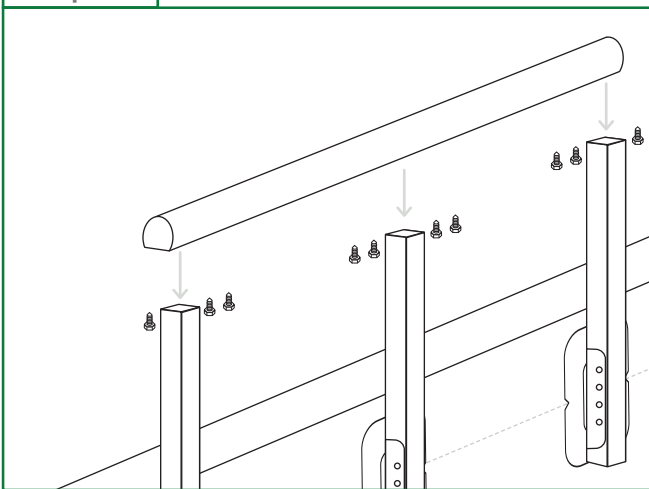
Every roof ladder system is designed with the specifications of your roof, location and other variables in mind. The roof ladder system uses the U-Anchor™ attachments for safe securement of the system.

Step 4



Attach the Vertical Post to the Wall Guardrail Bracket by using ten (10) ¼" x ¾" Stainless Steel TEK Screws to drill through the Bracket to the Post.

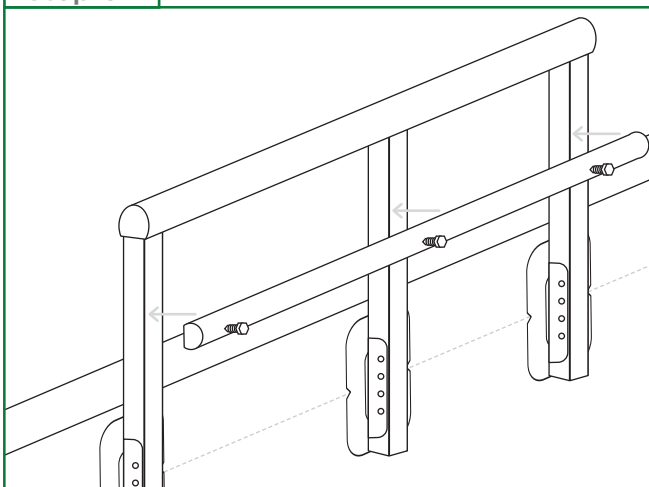
Step 5



Place handrail on top of posts, and ensure that the splice joint is NOT directly over the post.

Then, fasten handrail to post with two (2) ¾" fasteners. One self-tapping screw on each side. Use the groove on the handrail for fastener placement.

Step 6



Begin knee rail installation from the corner post or end post to ensure proper alignment.

Note: Knee rail MUST be aligned by placing the flat edge against the inner side of the posts.

Fasten the knee rail to the post with the fasteners provided. (Knee rail should be installed if required by your project design)