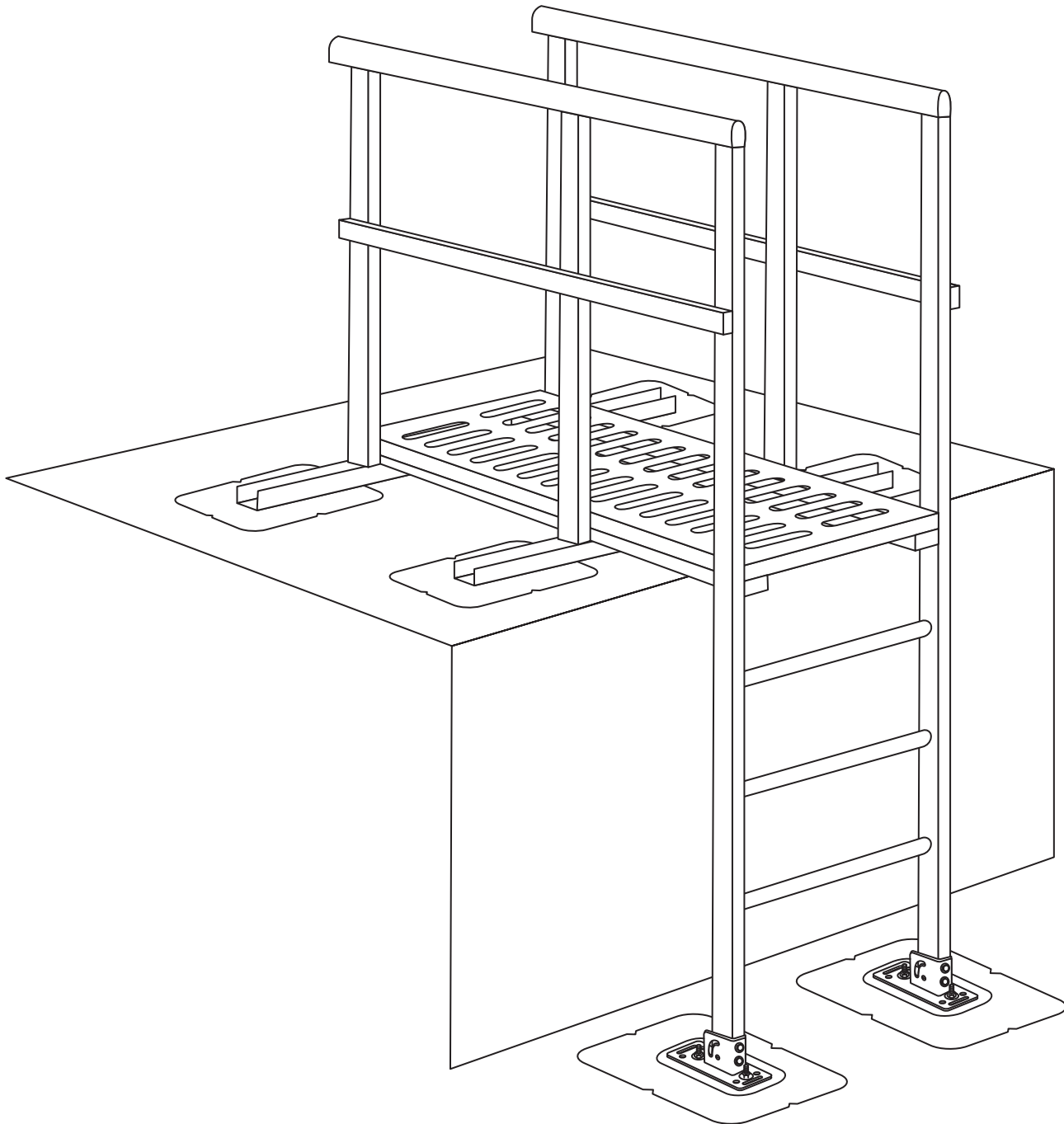


Roof Ladder

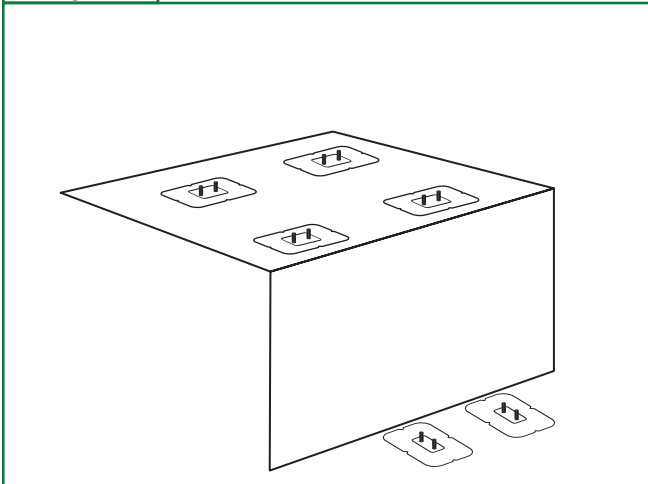
BLW 0170 Install Instructions



BLW-0170 Install Instructions

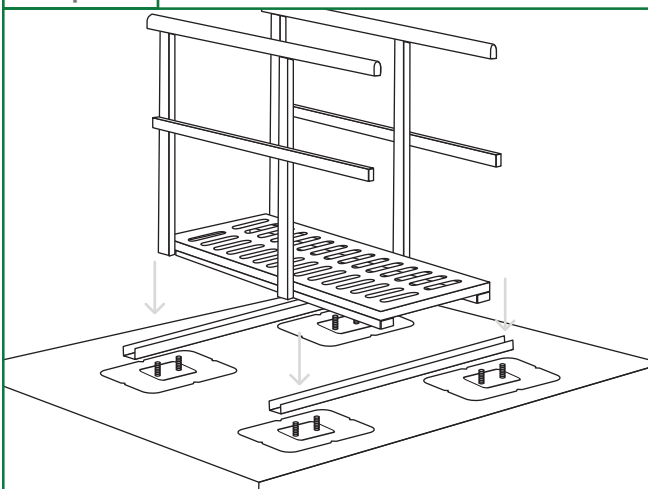
Every roof ladder system is designed with the specifications of your roof, location and other variables in mind. The roof ladder system uses the U-Anchor™ attachments for safe securement of the system.

Step 1



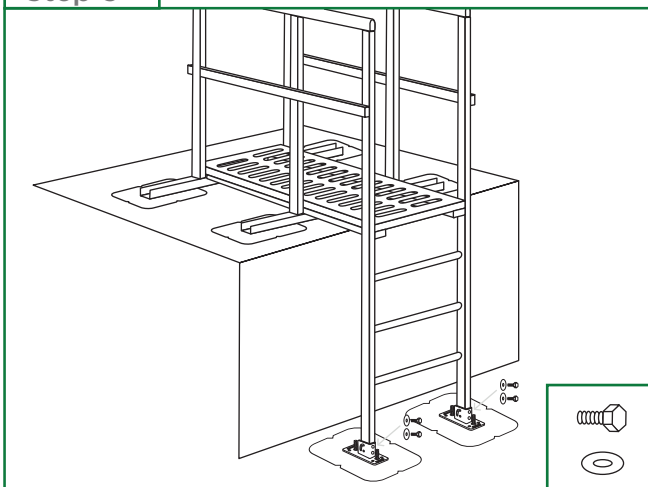
Align the U-Anchors in accordance with the ladder and pass-through bridge design. Install the U-Anchor as per instructions provided by Anchor Products and in compliance with the roofing manufacturer requirements. Make sure to follow any applicable pre-installation and post-installation requirements according to the engineered design.

Step 2



Install the pass-through bridge first. Place the base channel over the U-Anchor bolts perpendicular to the placement of the final location of the pass-through bridge secure the bridge brackets to the channel using the provided channel nuts/bolts.

Step 3

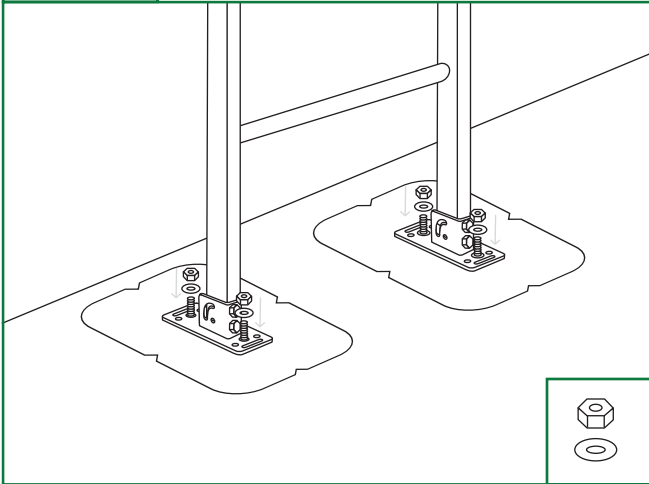


Position the ladder over the lower roof U-Anchor bolts and lift into position (make sure to not damage the roof surface) and secure the top bracket of the ladder to the pass-through bridge. Use the provided hardware.

BLW 0170 Install Instructions

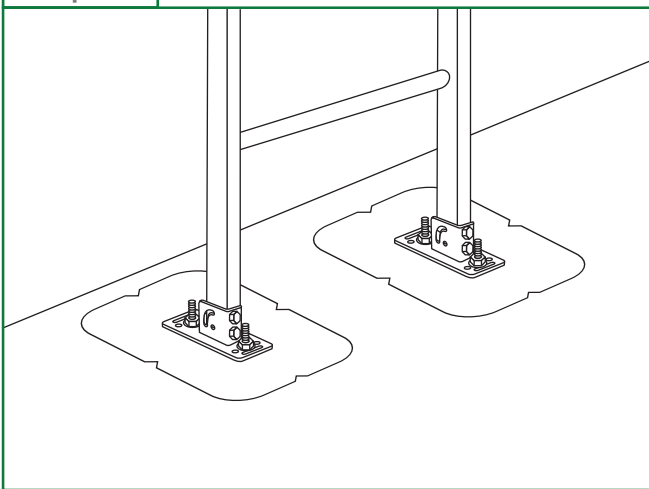
Every roof ladder system is designed with the specifications of your roof, location and other variables in mind. The roof ladder system uses the U-Anchor™ attachments for safe securement of the system.

Step 4



Secure the base of the ladder over the U-Anchor bolts using the provided Stainless Steel Flat Washers and Flange Nuts.

Step 5



Tighten all hardware to 7.8 ft./lbs.