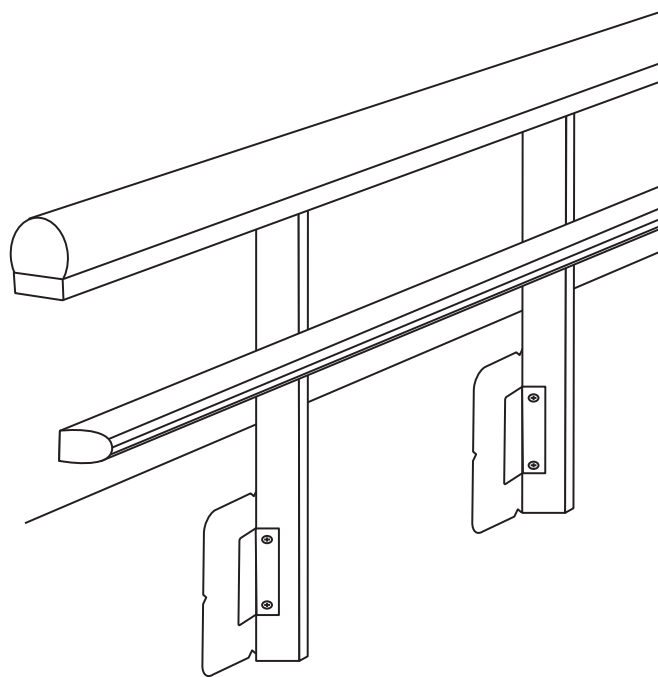


GRD 0110

WALL MOUNTED GUARDRAIL



The AP Solution **GRD 0110 Wall Mounted Guardrail** provides the highest level of passive safety for wall mounted applications. Our system is secured by the U-Anchor 3000™ Series Attachment and utilizes the FIXFAST USA's KATTSAFE™ Roof Guardrail Systems. Each U-Anchor matches the material of your roof. The unique design eliminates cost and danger of potential roof damage caused by counterweights utilized with other guardrail systems.



PRODUCT SPECIFICATIONS



Guardrail Wall Post

- Dimensions: 42"
- Material Type: Aluminum 6106-T6

Guardrail Wall Mount Bracket

- Dimensions: 8" T X 2 3/8 W X 3" D
- Material Type: Powder Coated Galvanized Steel
- Quantity: 1

Guardrail Handrail

- Dimensions: 10'
- Material Type: Aluminum 6106-T6

Guardrail Kneerail

- Dimensions: 10'
- Material Type: Aluminum 6106-T6
- Quantity: 1

Permanent lightweight guardrail system with 10-year warranty that exceeds OSHA regulations.

When utilizing the U-Anchors, the return rail is not required.

U-Anchor attachment that matches the material of the roof.

Railing system manufactured of high tensile aluminum and highly modular to allow for many configurations.

All representations herein are premised on proper installation and use of approved components. Failure to properly install or use of unapproved components voids all Anchor Products representations.

* Specified option is standard. Custom options may be available for additional charge. Lead times may apply depending on roofing manufacturer and product availability.