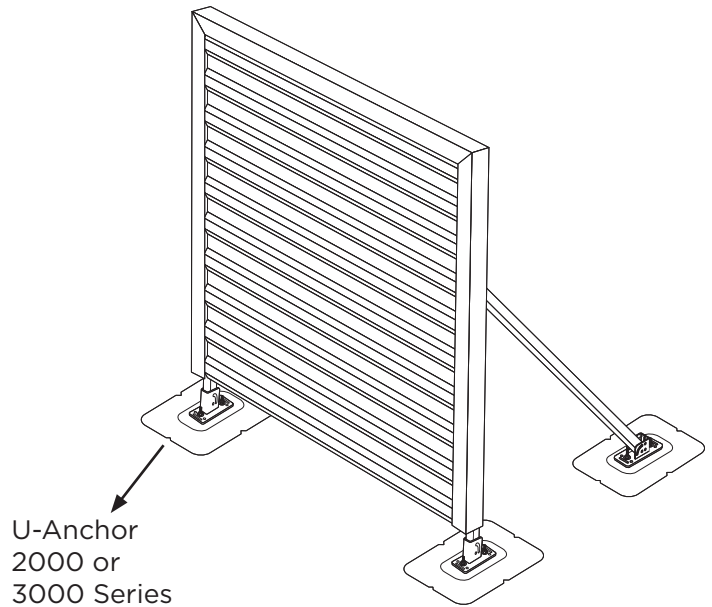


The AP Solution **ESS 0850 Equipment Screen** Securement utilizes our U-Anchor 2000 and 3000 Series attachments to provide a securely attached equipment screen to your roof.

Equipment screens on commercial roofs conceal unsightly rooftop equipment, reduce equipment noise and wind effects on rooftop equipment and roof assemblies.

The Equipment Screen Securement solution, secured using the U-Anchor, provides extreme strength and resistant against high winds and seismic events. The U-Anchor can be used with most third party equipment screens as well.



ROOFTOP ACCESSORIES SECUREMENT

ASCE 7-16 code requires all rooftop equipment to be bolted, welded, or otherwise positively fastened without consideration of frictional resistance.



FEATURES:

- » Attachments that safely connect to TPO, EPDM, PVC, Asphalt and coated roofs without damaging the roof surface using a U-Anchor.
- » The 2000 and 3000 series U-Anchor can be used with most third party equipment screens.
- » Quick and easy installation year round.
- » Options for specific and/or unique materials and custom colors available.
- » Stainless steel hardware will not corrode on the roof.

ADVANTAGES

- » Safely attach equipment screens to TPO, PVC, EPDM, asphalt and coated roofs without damaging the roof.
- » System is able to withstand high winds and seismic events.
- » Customizable system with the material, sizes and design that you need.
- » Versatility of the U-Anchor attachment provides more options for placement on your rooftop.

Contact **Anchor Products Technical Services** for assistance with your custom mounting solution.

WARNING! The products included/described herein are protected by patents that are exclusively licensed to Anchor Products (visit www.anchorp.com/patents for details). Any use of Anchor's products for anything other than their expressed intended purpose or installation other than according to the written instructions provided by Anchor Products shall void all warranties, representations and promises related to the products and Anchor Products disclaims any and all liability associated with the products in such an event. If you have any questions about the proper use or installation of the products, please contact Anchor Products at 888-575-2131.