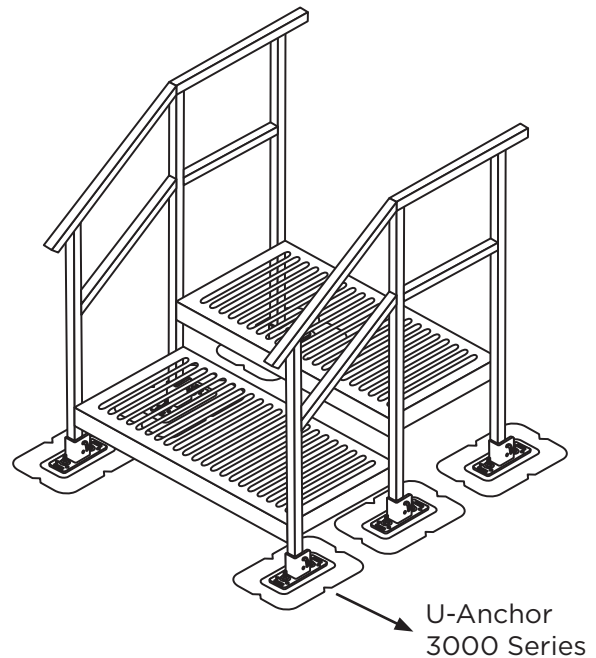


The AP Solution **BLW 0150 Roof Stairs** securement for rooftop stairs provides a safe and stable mounting solution for your access system with the help of the U-Anchor™.

Every securement solution is designed with the specifications of your roof, surface, location and other variables in mind. The U-Anchor 2000 and 3000 Series Attachments provide an unmatched and reliable anchoring system to ensure that your system remains secured, in place and safe.

The holding strength of the U-Anchor will keep the system safely mounted to the roof through high wind conditions, seismic events and other conditions that typically cause movement of the equipment.



ACCESS SYSTEMS

ASCE 7-16 code requires all rooftop equipment to be bolted, welded, or otherwise positively fastened without consideration of frictional resistance.



FEATURES:

- » Access system securement provides a variety of options such as secured stairs, crossover bridges, roof walkway and many more.
- » System is fully customizable for your specific project needs.
- » All exposed components and hardware are made with stainless steel, aluminum, or other non-corrosive materials.
- » U-Anchors match material and brand of your roof.
- » Simple and quick install with less manpower needed for installation.
- » Custom color options available.

ADVANTAGES

- » Single-ply, bituminous, and liquid applied.
- » Install System easily with less manpower, year-round.
- » The U-Anchor attachment is mounted without damaging your roof surface.
- » U-Anchor is accepted by all major roofing manufacturers in North America.

Contact **Anchor Products Technical Services** for assistance with your custom mounting solution.

WARNING! The products included/described herein are protected by patents that are exclusively licensed to Anchor Products (visit www.anchorp.com/patents for details). Any use of Anchor's products for anything other than their expressed intended purpose or installation other than according to the written instructions provided by Anchor Products shall void all warranties, representations and promises related to the products and Anchor Products disclaims any and all liability associated with the products in such an event. If you have any questions about the proper use or installation of the products, please contact Anchor Products at 888-575-2131.