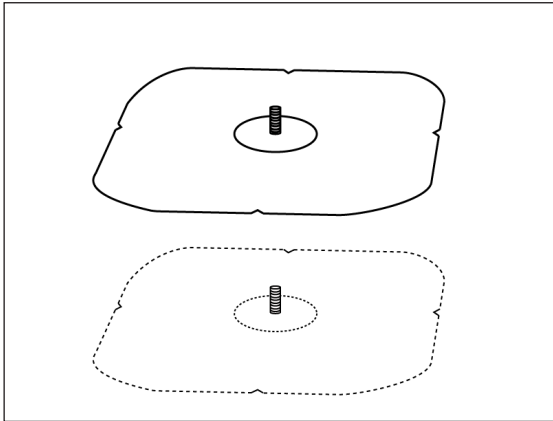




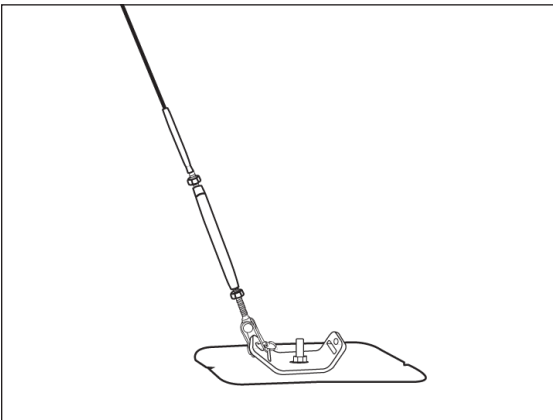
INSTALLATION INSTRUCTIONS

Before getting started confirm the manor and location in which the 3/16" Stainless Steel Cable will connect to the equipment. Some applications may require the use of a turn buckle to apply the proper tension to the cable. Other attachment options available. Contact us for further assistance.



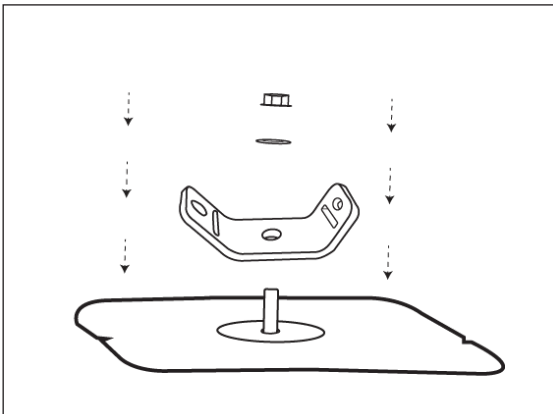
STEP 1

Install the U-Anchor as per instructions provided by Anchor Products and in compliance with the roofing manufacturer requirements. Make sure to follow any applicable installation and post installation requirements according to the engineered design.



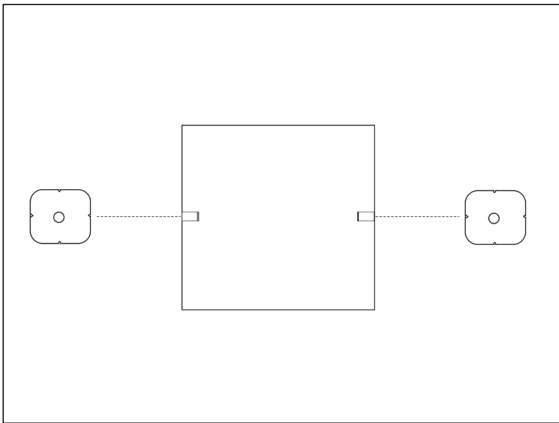
STEP 2

Begin by placing the 30/30 Bracket with the attached cable over the U-Anchor bolt and loosely secure the washer and nut over the bracket. Extend the Turn Buckle to allow wire rope to be tensioned later. (after step 5)



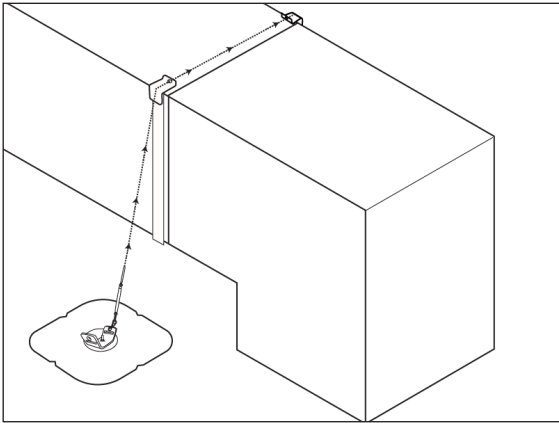
STEP 3

Place the 30/30 Bracket without the attached cable over the U-Anchor bolt on the opposite side of the HVAC unit and loosely secure the washer and nut over the bracket.



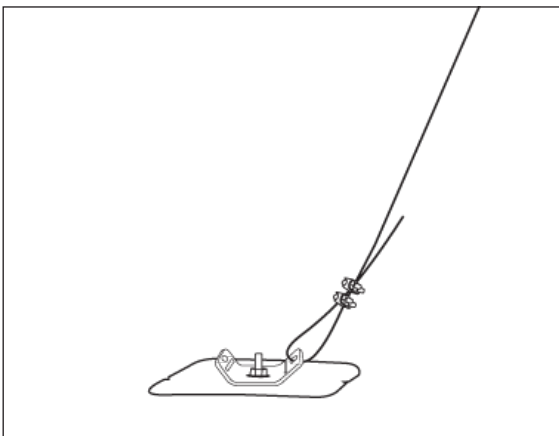
STEP 4

Apply Edge Protection Bracket directly in line with the two opposing U-Anchors on each side of the equipment. Once the location is determined manipulate the bracket by hand to make it follow the contour of the corner of the equipment. Clean the equipment surface where the bracket will be adhered to the equipment. (Denatured alcohol may be needed to get the surface sufficiently clean for the best adhesion). Remove the release liner from the back side of the Corner Protection Bracket and firmly press into position.



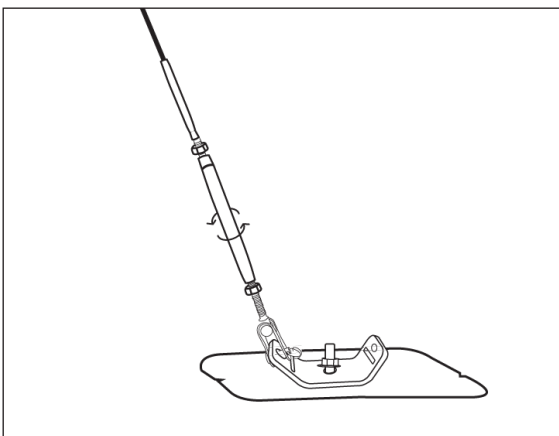
STEP 5

Thread the cable through the eyelets on the first and second Edge Protectors.



STEP 6

Thread the cable through the eyelet and thimble on the 30/30 and return the wire rope back on itself and remove the slack. Firmly tighten the nuts onto the U-Anchor bolt to 20 ft. lbs. With the cable tight, secure the wire rope clips and firmly tighten the nuts evenly by alternating as you tighten. The nuts should be tightened to 7.5 Ft. lbs.



STEP 7

Retract the turn buckle until desired tension is achieved.