

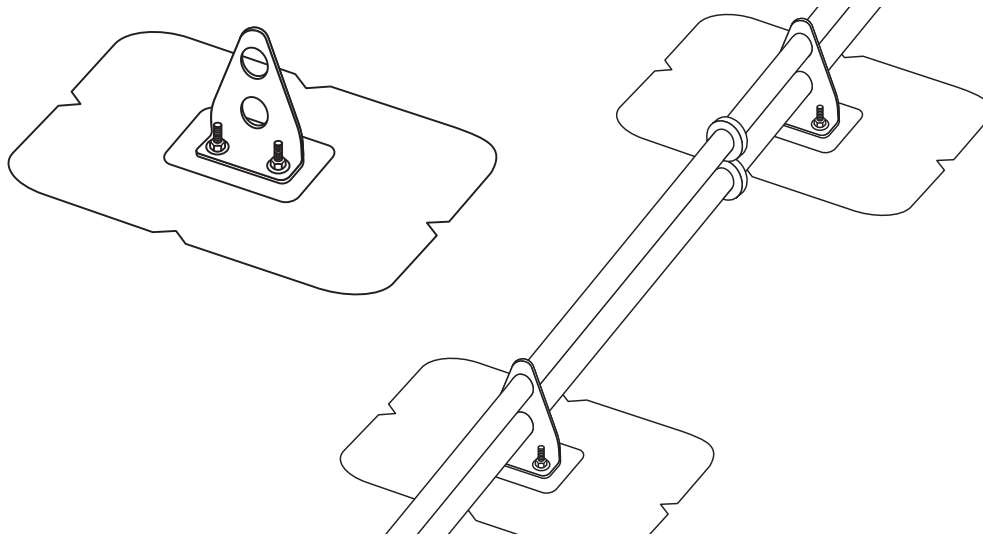
SRS 0220

2-PIPE SNOW FENCE SECUREMENT



The AP Solution **SRS 0220 2-Pipe Snow Fence** securement is a snow retention system that is attached to TPO, PVC, EPDM, or a coated roof using the U-Anchor 3000-S Series Attachment. This solution provides a stout securement and superior strength to out perform other conventional systems on the market. The SRS 0220 includes the brackets, 8' - 1" OD Pipe, end caps, end collars, and snow restrictors plus all hardware to assemble the system and attach to the U-Anchors.

The system manages snow migration on the roof, allowing for the proper evacuation of snow off the roof in a controlled manner. Restrictor plates are an optional component that mount onto the top bar of the SRS 0220 and extend down closer to the roof's surface. This is designed to help mitigate slides for lower volume snow falls that would otherwise accumulate underneath the lowest pipe of the system.



PRODUCT SPECIFICATIONS



Pipe Collar

- Dimensions: 1.75" L x 0.627" W x 1.75" H
- Inner Diameter: 1.065"
- Outer Diameter: 1.75"
- Material Type: 304 Stainless Steel
- Quantity: 4 per kit

Bracket

- Dimensions: 4" L x 1.75" W x 4" H
- Material Type: 5052 Aluminum
- Material Thickness: 0.19"
- Quantity: 10 per box

Pipe End Cap

- Dimensions: 0.92" L x 0.295" W x 0.92" H
- Outer Diameter: 0.92"
- Material Type: 304 Stainless Steel
- Quantity: 4 per kit

Permanent, lightweight snow retention providing superior waterproofing and resistance without the use of compression seals.

The U-Anchor 3000-S incorporated with the system installs in less than 5 minutes while the snow retention bracket installs in less than one minute reducing labor expenses and delivering low installed cost.

The SRS 0220 bracket is manufactured of stainless steel plate and boasts superior loads allowing for increased spacing of brackets, further reducing costs.

Snow retention brackets eliminates the need for snow flags / restrictor plates that are required with some snow fence.

All representations herein are premised on proper installation and use of approved components. Failure to properly install or use of unapproved components voids all Anchor Products representations.

* Specified option is standard. Custom options may be available for additional charge. Lead times may apply depending on roofing manufacturer and product availability.