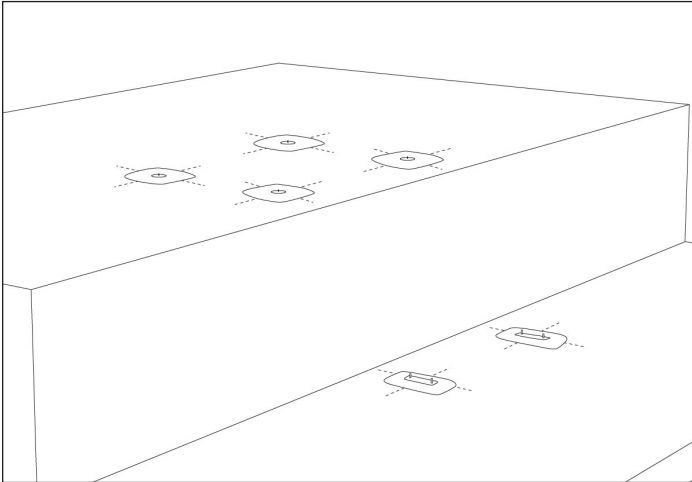




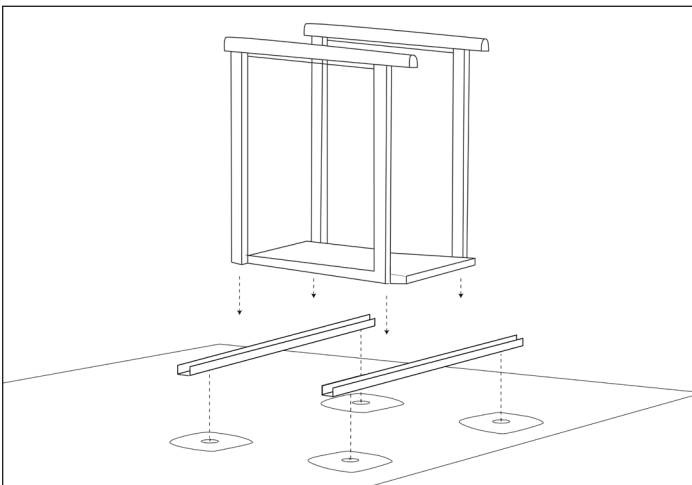
INSTALLATION INSTRUCTIONS



STEP 1

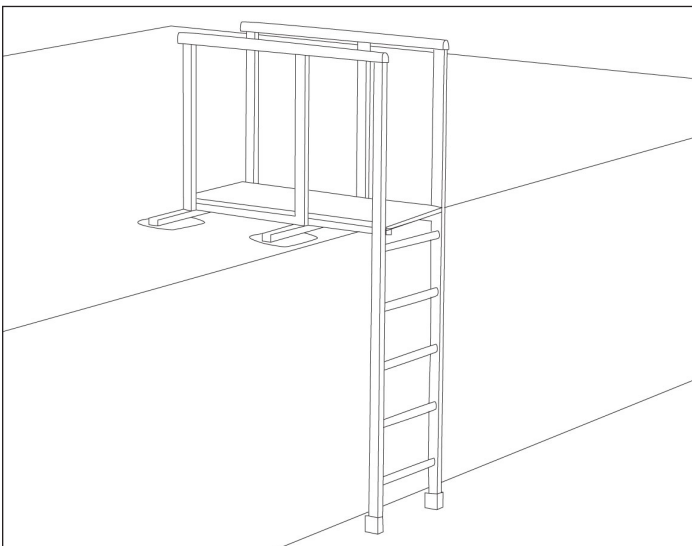
Align the U-Anchors™ in accordance with the ladder and pass through bridge design.

Install the U-Anchor as per instructions provided by Anchor Products and in compliance with the roofing manufacturer requirements. Make sure to follow any applicable pre-installation and post installation requirements according to the engineered design.



STEP 2

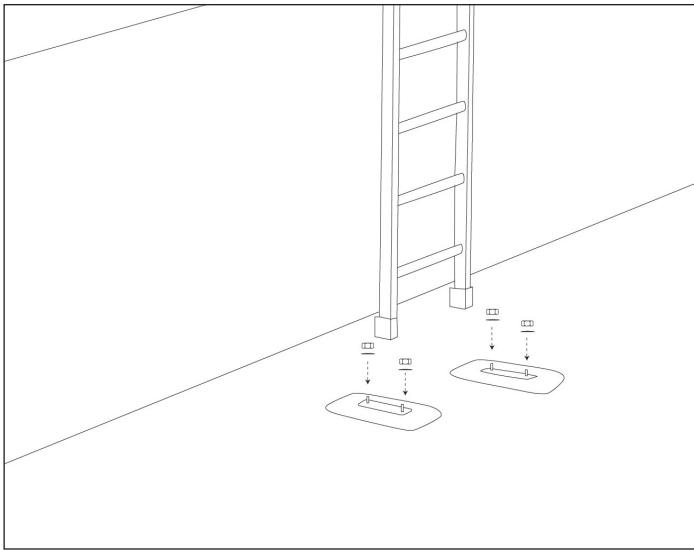
Install the pass through bridge first. Place the base channel over the U-Anchor bolts perpendicular to the placement of the final location of the pass through bridge. Secure the bridge brackets to the channel using the provided channel nuts / bolts.



STEP 3

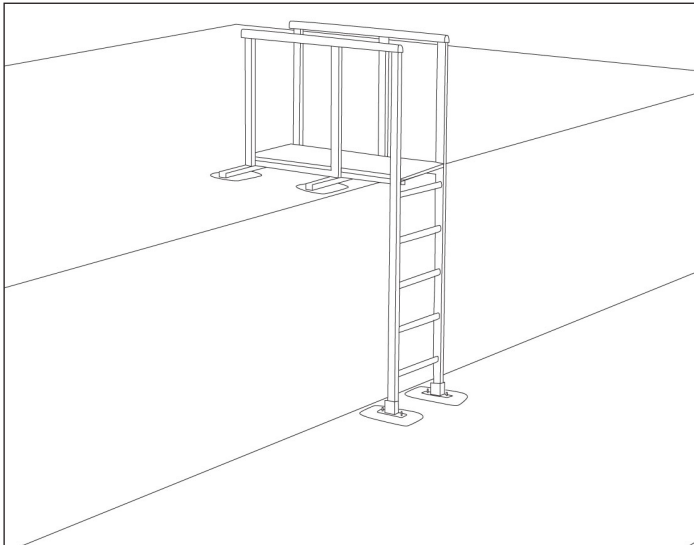
Position the ladder over the lower roof U-Anchor bolts and lift into position and secure the top bracket of the ladder to the pass through bridge. Use the provided hardware.





STEP 4

Secure the base of the ladder over the U-Anchor bolts using the provided stainless steel flat washers and stainless steel flange nuts.



STEP 5

Tighten all hardware to 7.8ft/lbs??