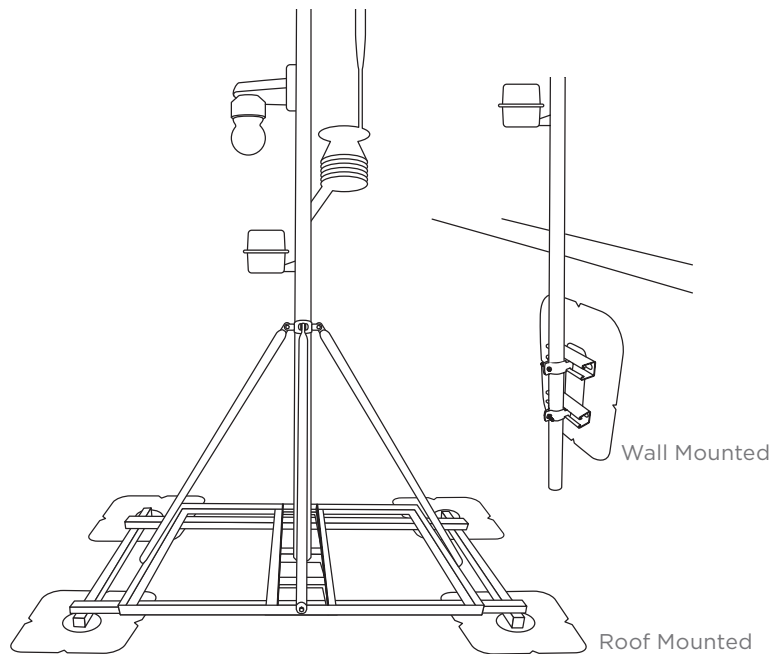


# WSK 0520

## WEATHER STATION SECUREMENT



The AP Solution **WSK 0520 Weather Station** securement by Anchor Products is your solution to successfully installing and maintaining the stability of your commercial weather station system. Our system uses the U-Anchor™ 2000 Series Attachment to prevent the adverse effects of rain, wind, or any other weather conditions on your system. The U-Anchor allows for the weather station system to be efficiently mounted at the standard 4-6 ft. above the surface of your roof. Its versatility can ensure that you can easily find the proper spot to prevent obstruction.



### PRODUCT SPECIFICATIONS



#### U-Anchors

- Material Type: Roof Brand Specific or Generic Membrane

#### Pre-assembled Post and Base Plate

- Dimensions: 1-5/8" x 1-5/8" 8" Strut
- Material Type: Hot Dipped Galvanized steel

#### Options Available

- Round Pipe Wall Mount
- Connection Plate

All U-anchors used match roofing material type and brand.

U-Anchor safely attaches to EPDM, TPO, PVC, asphalt and coated roofs without damaging the roof surface.

U-Anchor is compatible with most roofing weather system manufacturers base and mast.

Easily installed year-round.

Each U-Anchor 2000 Series Attachment can resist approximately 3000 lbs. in tension and 4000 lbs in shear.

All representations herein are premised on proper installation and use of approved components. Failure to properly install or use of unapproved components voids all Anchor Products representations.

\* Specified option is standard. Custom options may be available for additional charge. Lead times may apply depending on roofing manufacturer and product availability.