

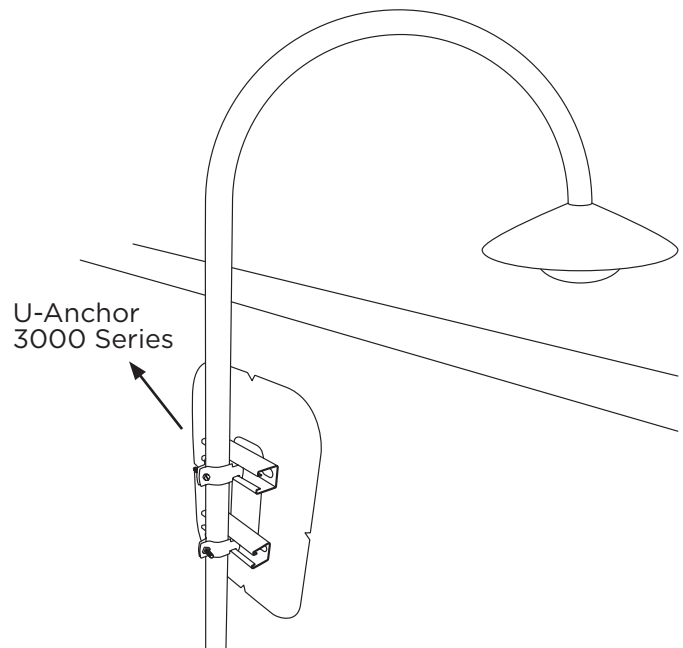
LMK 0510

LIGHT MOUNT SECUREMENT



The AP Solution **LMK 0510 Light Mount** securement provides an easy solution for installation, a secure base, and assurance that your rooftop lighting system exceeds threshold conditions and specifications.

The light mount system uses the U-Anchor 3000 Series Attachments to provide extreme strength. Each commercial rooftop lighting system is developed with your commercial roof in mind.



SECURITY SYSTEMS SECUREMENT

ASCE 7-16 code requires all rooftop equipment to be bolted, welded, or otherwise positively fastened without consideration of frictional resistance.



FEATURES:

- » U-Anchors used match roof materials and brand
- » U-Anchor safely attaches to EPDM, TPO, PVC, asphalt and coated roofs without damaging roof surface
- » Each U-Anchor 3000 Series Attachment can resist approximately 4,500 lbs. in tension and 9,500 lbs. in shear.
- » Additional Options
 - Custom Colors available
 - Roof and Wall Mount options available

ADVANTAGES

- » Versatility of placement options.
- » U-Anchor made to match rooftop materials.
- » U-Anchor accepted by all North American Rooftop Manufacturers.
- » U-Anchor provides proven strength to securely mount your system and prevent damage in high-wind and seismic events.
- » Attaches safely to TPO, PVC, EPDM, asphalt and coated roofs.

Contact **Anchor Products Technical Services** for assistance with your custom mounting solution.

WARNING! The products included/described herein are protected by patents that are exclusively licensed to Anchor Products (visit www.anchorp.com/patents for details). Any use of Anchor's products for anything other than their expressed intended purpose or installation other than according to the written instructions provided by Anchor Products shall void all warranties, representations and promises related to the products and Anchor Products disclaims any and all liability associated with the products in such an event. If you have any questions about the proper use or installation of the products, please contact Anchor Products at 888-575-2131.