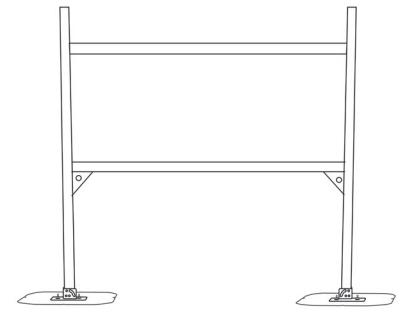
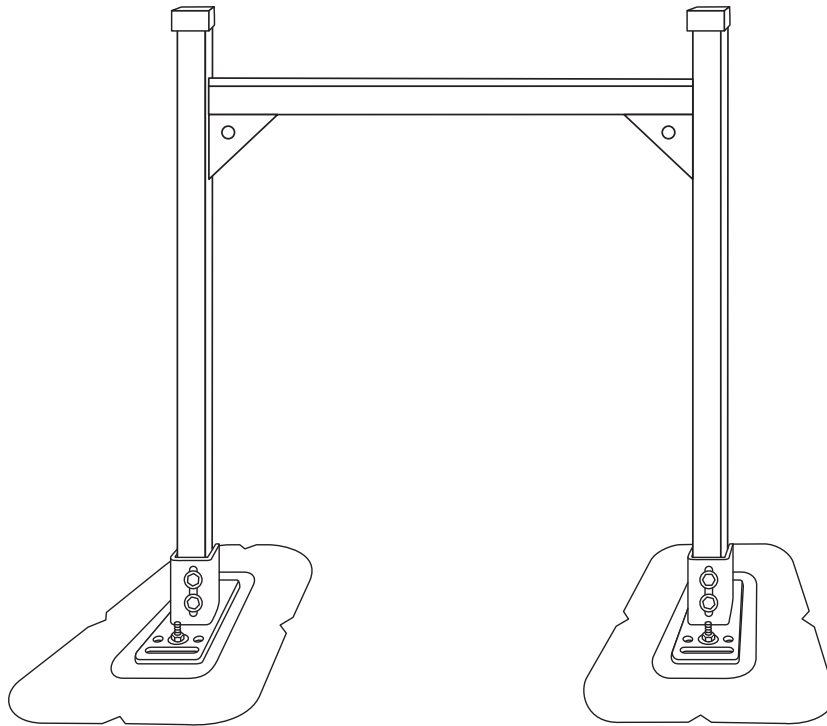


HFR 0631

ATTACHED H-FRAME SECUREMENT



The AP Solution **HFR 0631 Attached H-Frame** securement system provides the strength and secured mounting desired for your commercial roof. The Attached H-Frame System utilizes the U-Anchor 3000™ Series Attachment. The U-Anchor can resist approximately 3000 lbs. in tension and 4000 lbs. in shear.



Optional Enclosed
H-Frame Securement

PRODUCT SPECIFICATIONS



Pre-assembled Attached H-Frame

- Dimensions: As per Design
- Material: Hot Dipped Galvanized steel

Adjustable Strut Bracket

- Dimensions: 8" x3" 3-1/2"
- Material: Hot Dipped Galvanized steel

Options:

- Load Management Plate
- Top bar for enclosure

H-Frame Securement System designed for gravity loading and securement.

U-Anchor provides you with a stable securement that can withstand high winds and other natural hazards.

Attaches safely to TPO, PVC, EPDM, asphalt and coated roofs without damaging the roof with the U-Anchor

All exposed components and hardware are stainless steel, aluminum, or other non-corrosive materials.

Metal parts consist of stainless steel or Galvanized steel.

Load management plate.

Duct and cable trays are designed for single or multiple duct supports.

All representations herein are premised on proper installation and use of approved components. Failure to properly install or use of unapproved components voids all Anchor Products representations.

* Specified option is standard. Custom options may be available for additional charge. Lead times may apply depending on roofing manufacturer and product availability.