

# GRD 0110

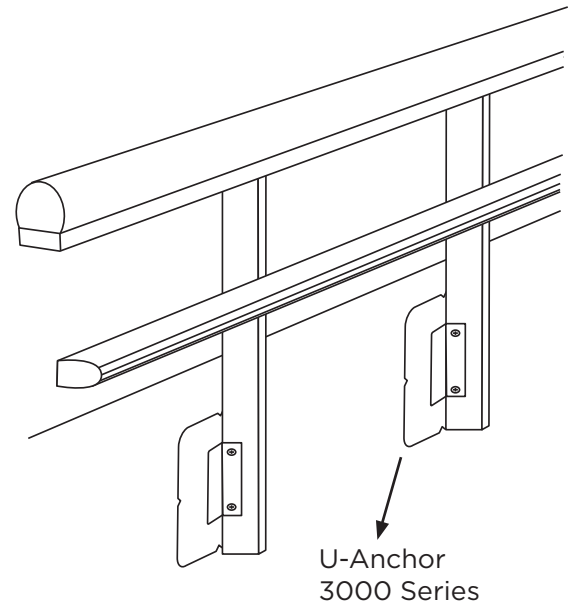
# WALL MOUNTED GUARDRAIL



The AP Solution **GRD 0110 Wall Mounted Guardrail** provides the highest level of passive safety for wall mounted applications. The system is secured by the U-Anchor 3000 series attachment. Each U-Anchor matches the material of your roof.

Ensuring the safety of your rooftop is an essential aspect that shouldn't be overlooked. Maintenance staff and contractors will traverse your commercial roof for many reasons. The unique design eliminates cost and danger of potential roof damage caused by counterweights utilized with other guardrail systems.

Our systems are tested and approved by respected third party engineers. All major North American roofing manufacturers accept the U-Anchor attachment.



## SAFETY AND ACCESS SYSTEMS SECUREMENT

**ASCE 7-16 code requires all rooftop equipment to be bolted, welded, or otherwise positively fastened without consideration of frictional resistance.**



### FEATURES:

- » Permanent lightweight guardrail system with 10-year warranty that exceeds OSHA regulations.
- » U-Anchor attachment that matches the material of the roof
- » Railing system manufactured of high tensile aluminum.
- » Options Available:
  - Custom colors
  - Gate assemblies
  - Corner Assemblies

### ADVANTAGES

- » The U-Anchor installs in less than 5 minutes.
- » U-Anchor creates watertight solution.
- » U-Anchor tested to withstand high winds and other natural hazards.
- » Tensile aluminum material allows for various modular configurations.
- » All exposed components and hardware are stainless steel, aluminum, or other non-corrosive materials.

Contact **Anchor Products Technical Services** for assistance with your custom mounting solution.

WARNING! The products included/described herein are protected by patents that are exclusively licensed to Anchor Products (visit [www.anchorp.com/patents](http://www.anchorp.com/patents) for details). Any use of Anchor's products for anything other than their expressed intended purpose or installation other than according to the written instructions provided by Anchor Products shall void all warranties, representations and promises related to the products and Anchor Products disclaims any and all liability associated with the products in such an event. If you have any questions about the proper use or installation of the products, please contact Anchor Products at 888-575-2131.