

# GRD 0100

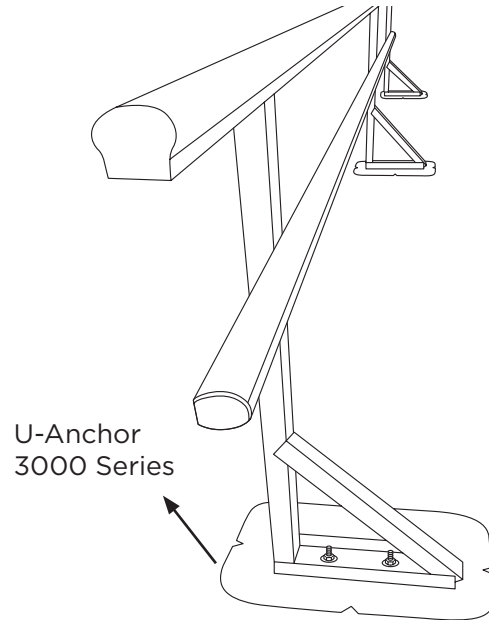
## ROOF MOUNTED GUARDRAIL



The AP Solutions **GRD 0100 Roof Mounted Guardrail** is a passive fall protection system that is fully attached and watertight. It is especially designed for workplace safety on low slope rooftops, and utilizes the strength and innovation of the U-Anchor by Anchor Products.

Used as a permanent solution, the Roof Mounted Guardrail system's unique design eliminates the cost and danger of potential roof damage caused by counterweights utilized with other guardrail systems.

Designed for all low slope roofs (including single-ply, asphalt and coatings), the Roof Mounted Guardrail utilizes the U-Anchor 3000 series to create a watertight solution attached using manufacturer approved roofing fasteners. The U-Anchor provides a low-profile attachment that becomes the basis of an OSHA-compliant barrier for fall protection.



### SAFETY AND ACCESS SYSTEMS SECUREMENT

**ASCE 7-16 code requires all rooftop equipment to be bolted, welded, or otherwise positively fastened without consideration of frictional resistance.**



#### FEATURES:

- » When utilizing U-Anchors, a return rail is not required.
- » The U-Anchor installs in less than 5 minutes.
- » The railing system is manufactured of high tensile aluminum and is highly modular to allow for dozens of configurations.
- » Supplied in mill finish as standard
- » Options Available:
  - Custom colors
  - Toe-board
  - Gate assemblies
  - Corner Assemblies

#### ADVANTAGES

- » All exposed components and hardware are made with stainless steel, aluminum, or other non-corrosive materials.
- » Quick and easy install.
- » End caps or closure bends on exposed Handrail and Kneerails prevent nesting in the system.
- » System is custom designed to fit your roof specifications.

Contact **Anchor Products Technical Services** for assistance with your custom mounting solution.

WARNING! The products included/described herein are protected by patents that are exclusively licensed to Anchor Products (visit [www.anchorp.com/patents](http://www.anchorp.com/patents) for details). Any use of Anchor's products for anything other than their expressed intended purpose or installation other than according to the written instructions provided by Anchor Products shall void all warranties, representations and promises related to the products and Anchor Products disclaims any and all liability associated with the products in such an event. If you have any questions about the proper use or installation of the products, please contact Anchor Products at 888-575-2131.