

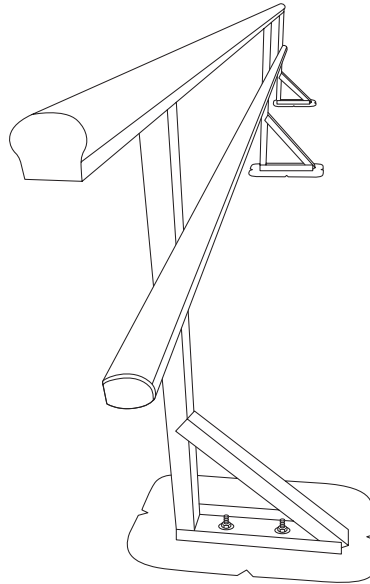
GRD 0100

ROOF MOUNTED GUARDRAIL



The AP Solutions **GRD 0100 Roof Mounted Guardrail** is a passive fall protection system that is fully attached and watertight. It is specially designed for workplace safety on low slope rooftops, and utilizes the strength and innovation of Anchor Products' U-Anchor™. Used as a permanent solution, the Roof Mounted Guardrail System's unique design eliminates the cost and danger of potential roof damage caused by counterweights with other guardrail systems.

Designed for all low slope roofs (including single-ply, asphalt and coatings), the Roof Mounted Guardrail utilizes the U-Anchor to create a watertight solution attached using manufacturer approved roofing fasteners. The U-Anchor provides a low-profile attachment that becomes the basis of an OSHA-compliant barrier for fall protection.



PRODUCT SPECIFICATIONS



Post Kit

- Dimensions: 2-1/4" x 1-1/2" x 1/8" tube.
- Material Type: Aluminum 6106-T6
- Material Thickness: 0.08"
- Color: Mill Finish Aluminum
- Hardware: 1/4" x 3/4" SS TEK Screws

Handrail

- Dimensions: 1.97" x 1.65"
- Inner Diameter: 1.8"
- Outer Diameter: 1.97"
- Color: Mill Finish Aluminum
- Material Type: Aluminum 6106-T6
- Hardware: 1/4" x 3/4" SS TEK Screws

Guardrail System is manufactured of high tensile aluminum

Modular system facilitates infinite configurations
Toe-board option available

Can be easily customized on site to suit application
Lightweight for easy handling

OSHA compliant

Mill finish and safety yellow systems in stock and ready to ship

Custom colors available

All representations herein are premised on proper installation and use of approved components. Failure to properly install or use of unapproved components voids all Anchor Products representations.

* Specified option is standard. Custom options may be available for additional charge. Lead times may apply depending on roofing manufacturer and product availability.