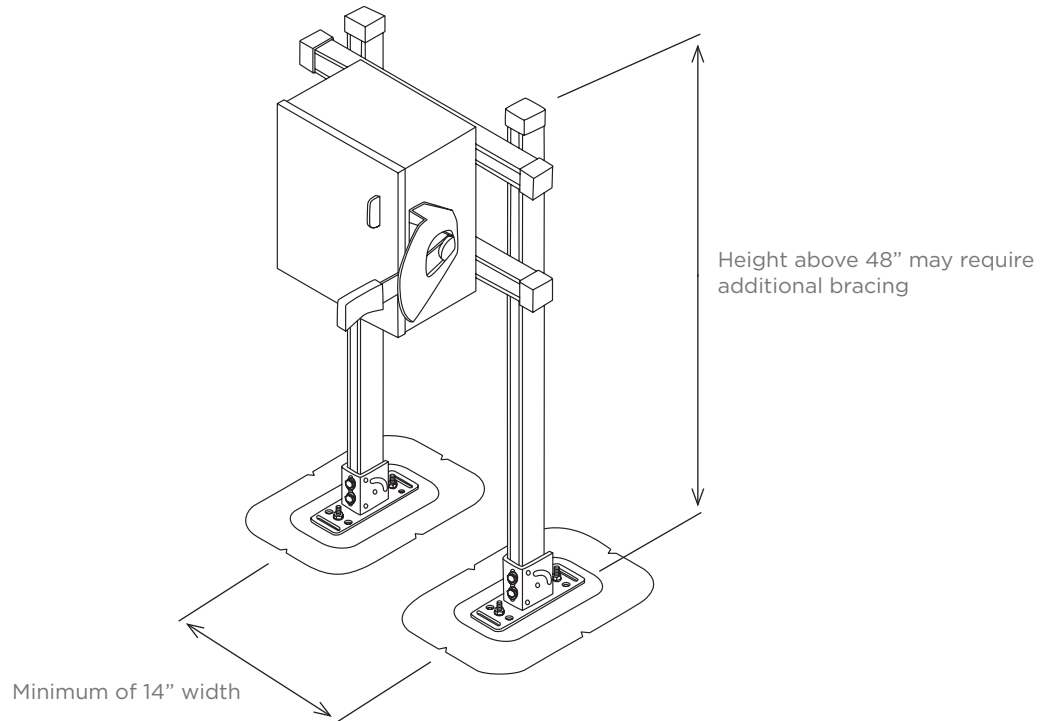


EBK 0910

ELECTRICAL DISCONNECT BOX SECUREMENT



The AP Solution **EBK 0910 Electrical Disconnect Box** securement offers the perfect solution to avoid accidents and roof leaks during wind or seismic event, keeping your roof free from damage and unnecessary maintenance expenses. The Electrical Disconnect Box Securement System by Anchor Products attaches to your roof without voiding your roof warranty.



PRODUCT SPECIFICATIONS



U-Anchors

- Material Type: Roof Brand or Non-Brand Specific

Adjustable Strut Bracket

- Dimensions: 8" x 3" x 3.5"
- Material Type: Hot Dipped Galvanized steel

Framing Material

- Dimensions: As per design requirements
- Material Type: Hot Dipped Galvanized steel or Aluminum
- Quantity: As Per Specific Requirement
- Minimum width: 14"
- Typical Height: 36" - 48" (Heights above 48" may require extra bracing)

Attaches safely to EPDM, TPO, PVC, Asphalt and coated roofs without damaging the roof using a U-Anchor™ 3000 Series Attachment.

U-Anchors match roofing material type and brand.

The force resistance of each U-Anchor can exceed 4,000 lbs in tension and 9,000 lbs in shear.

U-Anchor is accepted by all North American roofing manufacturer allowing warranties to remain in effect.

All exposed components are made of stainless steel, aluminum, and other non-corrosive materials.

Designed weight capacity of 185lbs. Additional support may be required for heavier loads.

All representations herein are premised on proper installation and use of approved components. Failure to properly install or use of unapproved components voids all Anchor Products representations.

* Specified option is standard. Custom options may be available for additional charge. Lead times may apply depending on roofing manufacturer and product availability.