

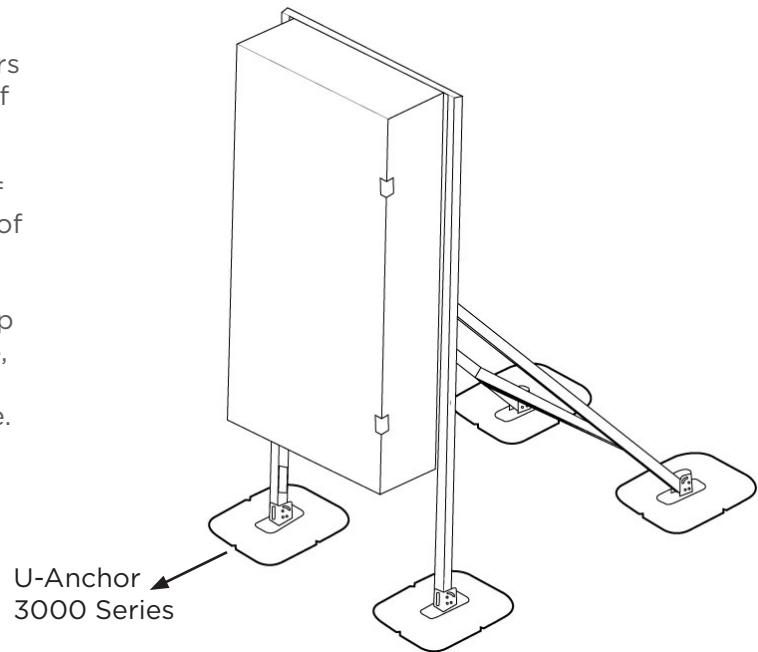
EBK 0900

ELECTRICAL BOX SECUREMENT



The AP Solution **EBK 0900 Electrical Box** offers the perfect solution to avoid accidents and roof leaks during wind or seismic event, keeping your roof free from damage and unnecessary maintenance expenses. The Electrical Box Roof Mount by Anchor Products attaches to your roof without voiding your roof warranty.

Natural environmental events can cause rooftop equipment that is not properly secured to slide, lift and overturn. To prevent this, equipment should be securely attached to the roof surface.



ELECTRICAL SYSTEMS SECUREMENT

ASCE 7-16 code requires all rooftop equipment to be bolted, welded, or otherwise positively fastened without consideration of frictional resistance.



FEATURES:

- » Attaches safely to EPDM, TPO, PVC, asphalt and coated roofs using a U-Anchor™ 3000 Series Attachment.
- » U-Anchors match roofing material type and brand.
- » Each U-Anchor 3000 Series Attachment can resist approximately 4,500 lbs. in tension and 9,500 lbs. in shear.
- » All exposed components are made of stainless steel, aluminum, and other non-corrosive materials.

ADVANTAGES

- » Compatible with all major commercial roof types and brands.
- » Keep your roof warranty intact.
- » Provide unmatched strength in shear and tension.
- » 3000 Series U-anchors provide a water-tight seal.

Contact **Anchor Products Technical Services** for assistance with your custom mounting solution.

WARNING! The products included/described herein are protected by patents that are exclusively licensed to Anchor Products (visit www.anchorp.com/patents for details). Any use of Anchor's products for anything other than their expressed intended purpose or installation other than according to the written instructions provided by Anchor Products shall void all warranties, representations and promises related to the products and Anchor Products disclaims any and all liability associated with the products in such an event. If you have any questions about the proper use or installation of the products, please contact Anchor Products at 888-575-2131.