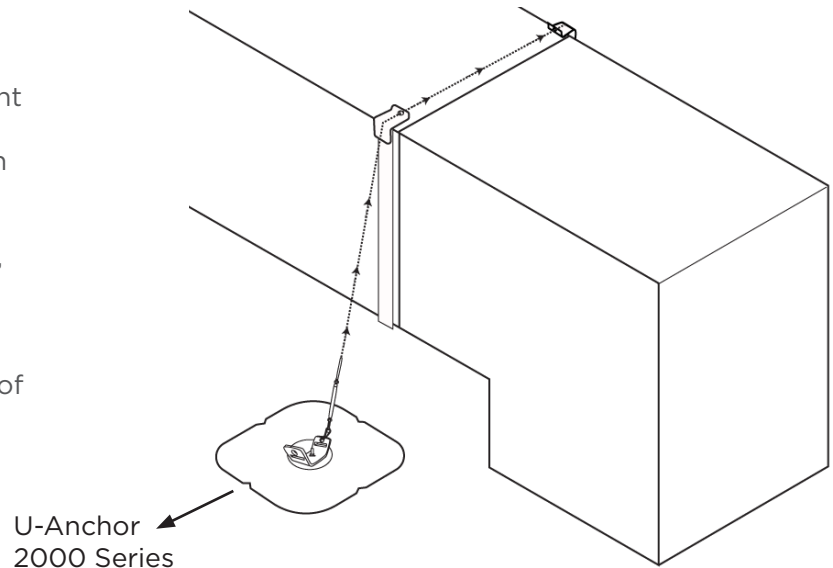


AP Solution **DUC 0610 HVAC Duct** securement provides an effective and reliable attachment for new or existing duct systems, keeping it in place under the harshest conditions.

Duct on a roof is easily moved by wind, snow, seismic events, and other natural elements which can cause multiple problems if it is not secured to the roof, including reduced efficiency, damage to your equipment, the roof and other property.



HVAC SYSTEMS SECUREMENT

ASCE 7-16 code requires all rooftop equipment to be bolted, welded, or otherwise positively fastened without consideration of frictional resistance.



FEATURES:

- » The 3/16" stainless steel 7x19 aircraft cable offers a breaking strength of approximately 3700 lbs. (Other wire rope options may be available upon request.)
- » Each U-Anchor 2000 Series Attachment can resist approximately 2,500 lbs. in tension and 4,300 lbs. in shear.
- » All exposed components and hardware are stainless steel, aluminum, and other non-corrosive materials.

ADVANTAGES

- » The duct securement solution provides an affordable and reliable solution for securing any size or shape of duct system to the roof. Straps and aircraft cables are customizable with a minimum length of 10ft.
- » The 2000 Series U-Anchor provides superior strength and securement for your duct system, preventing product displacement.
- » Easy to install, without any need for special tools.

Contact **Anchor Products Technical Services** for assistance with your custom mounting solution.

WARNING! The products included/described herein are protected by patents that are exclusively licensed to Anchor Products (visit www.anchorp.com/patents for details). Any use of Anchor's products for anything other than their expressed intended purpose or installation other than according to the written instructions provided by Anchor Products shall void all warranties, representations and promises related to the products and Anchor Products disclaims any and all liability associated with the products in such an event. If you have any questions about the proper use or installation of the products, please contact Anchor Products at 888-575-2131.