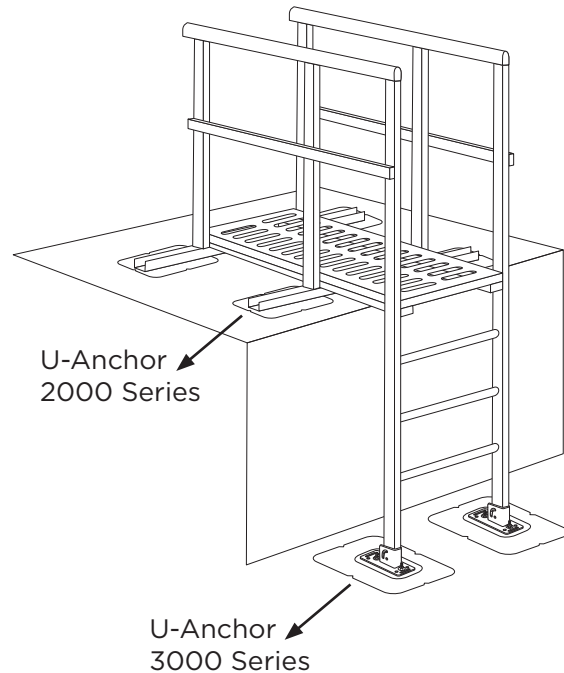


The AP Solution **BLW 0170 Roof Ladder** provides a secured mounting solution for your access systems. Every roof ladder system is designed with the specifications of your roof, location and other variables in mind. Specify the appropriate series 2000 or 3000 as on the data sheet.

The roof ladder system uses the U-Anchor™ attachments for safe securement of the system. It ensures that your roof isn't penetrated but the system is still securely attached to the rooftop.

Each Roof Ladder System will be created as a custom design in accordance with your project's requirements, including U-Anchor 2000 or 3000 Series Attachments, aluminum framing and a variety of fence options.



ACCESS SYSTEMS

ASCE 7-16 code requires all rooftop equipment to be bolted, welded, or otherwise positively fastened without consideration of frictional resistance.



FEATURES:

- » System is compliant with OSHA 1910 and ASCE 7-16 regulations.
- » System is fully customizable for your specific project needs.
- » U-Anchors match material and brand of your specific roof.
- » Custom design and color options available.

ADVANTAGES

- » Single-ply, bituminous, and liquid applied.
- » System installs easily with less manpower and can be installed year round.
- » Most secured, practical attachment for your roof.
- » The U-Anchor attaches without damaging your roof surface.

Contact **Anchor Products Technical Services** for assistance with your custom mounting solution.

WARNING! The products included/described herein are protected by patents that are exclusively licensed to Anchor Products (visit www.anchorp.com/patents for details). Any use of Anchor's products for anything other than their expressed intended purpose or installation other than according to the written instructions provided by Anchor Products shall void all warranties, representations and promises related to the products and Anchor Products disclaims any and all liability associated with the products in such an event. If you have any questions about the proper use or installation of the products, please contact Anchor Products at 888-575-2131.