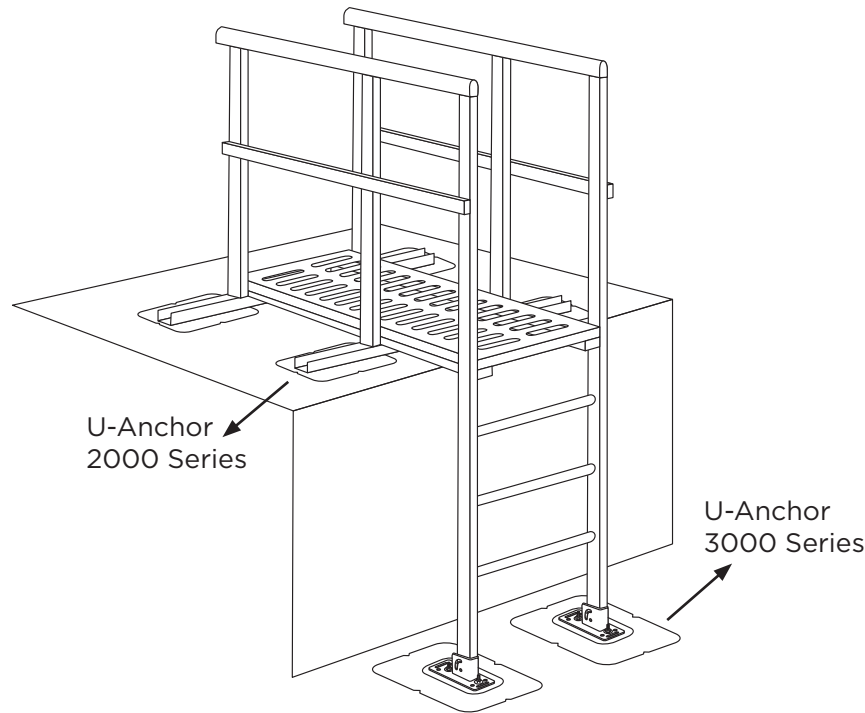


# BLW 0170

## ROOF LADDER SECUREMENT



The AP Solution **BLW 0170 Roof Ladder** securement provides a secured mount within code. Every roof ladder system is designed with the specifications of your roof, location and other variables in mind. The roof ladder system uses the U-Anchor attachments for safe securement of the system. It ensures that your roof isn't penetrated but the system is still securely attached to the rooftop.



### PRODUCT SPECIFICATIONS



#### **Adjustable Strut Bracket**

- Dimensions: 8" x 3" x 3"
- Material Type: Hot Dipped Galvanized steel.

#### **Access Walkway Through Support**

- Dimensions: 1-5/8" x 1-5/8" x 12"-48"
- Material Type: Aluminum or Hot Dipped Galvanized steel.

#### **Pre-assembled Access Walk Through**

- Dimensions: As per design.
- Material Type: Aluminum or Hot Dipped Galvanized steel.

#### **Assembled Ladder**

- Dimensions: As per design.
- Material Type: Aluminum or Hot Dipped Galvanized steel.

All exposed components and hardware are made with stainless steel, aluminum, or other non-corrosive materials.

The 3/16", 7x19 stainless steel wire rope offers a breaking strength of approx. 3700 lbs. (Other wire rope options available upon request.)

Cables with GWK 0600 Kit come standard at 10'. Custom length of cables up to 100' can be quoted and available by request.

All representations herein are premised on proper installation and use of approved components. Failure to properly install or use of unapproved components voids all Anchor Products representations.

\* Specified option is standard. Custom options may be available for additional charge. Lead times may apply depending on roofing manufacturer and product availability.