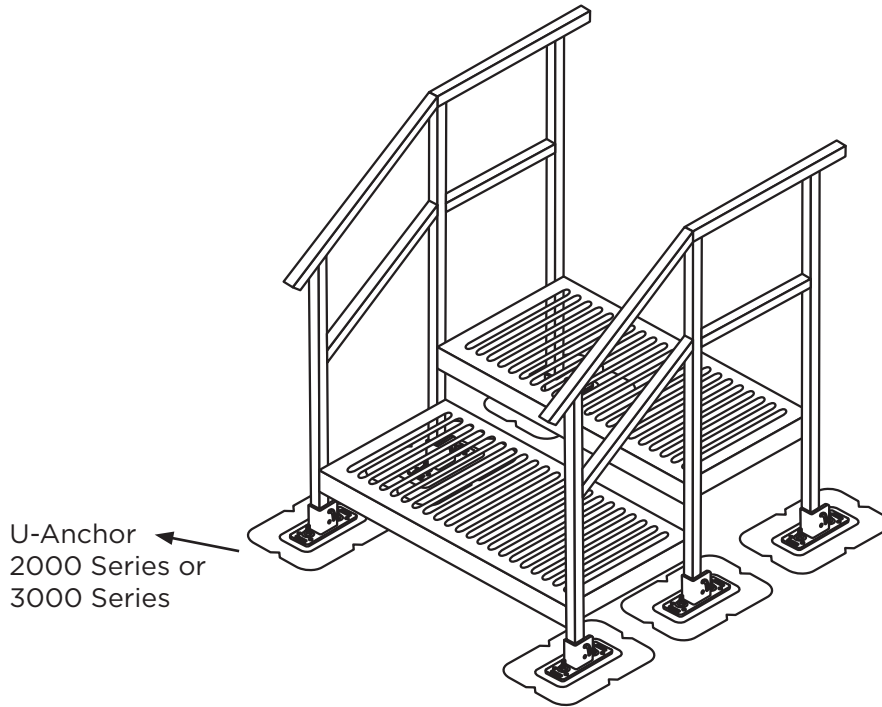


AP Solution **BLW 0150 Roof Stairs** securement is designed with the specifications of your roof, surface, location and other variables in mind. The U-Anchor 2000 and 3000 Series Attachment anchors provide an unmatched and reliable anchoring system to ensure that your access system remains secured, in place and safe for use. The holding strength of the U-Anchor will keep end system safely secure through high wind events, collision, and other conditions that may move the equipment.



PRODUCT SPECIFICATIONS



Adjustable Strut Bracket

- Dimensions: 8" x 3" x 3.5"
- Material: Hot Dipped Galvanized Steel.

Walking Surfaces

- Dimensions: As per design requirements.
- Material: Hot Dipped Galvanized Steel or Aluminum.
- Quantity: As per design requirements.

Framing Material

- Dimensions: As per design requirements
- Material: Hot Dipped Galvanized Steel or Aluminum.
- Quantity: As per design requirements.

Other components Included:

- 3/8"-16 Stainless Steel Flange Nut
- 3/8" Stainless Steel Flat Washer
- 3/8"-16 Stainless Spring Nut
- 3/8"-16 X 1" Stainless Steel Bolts
- U-Anchor 2000 & 3000 Series

Construction complies with current OSHA 1910 Standard

All representations herein are premised on proper installation and use of approved components. Failure to properly install or use of unapproved components voids all Anchor Products representations.

* Specified option is standard. Custom options may be available for additional charge. Lead times may apply depending on roofing manufacturer and product availability.