



Overview

The **SRS 0100 - Unitized Snow Fence System** by Anchor Products is a complete snow retention system designed to be used with low-slope roofing materials, giving building owners and contractors a reliable, engineered, and tested solution. The Unitized Snow Fence System utilizes U-Anchor™ 3000-S Series for superior strength and confidence when it comes to holding back snow on commercial roofing systems.

Each system is engineered specifically for your roof, and tested by third party engineers. Additionally, our system uses preflashed and prefabricated components, making installation significantly faster while providing a more consistent performance over field fabricated materials.

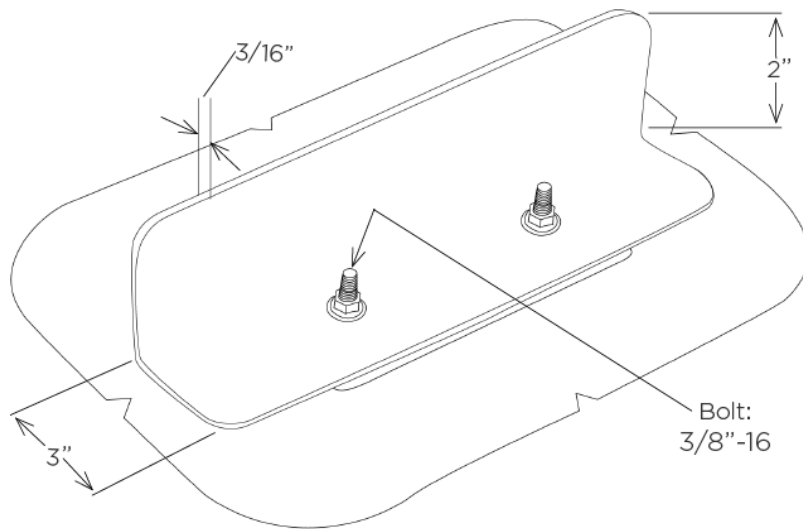
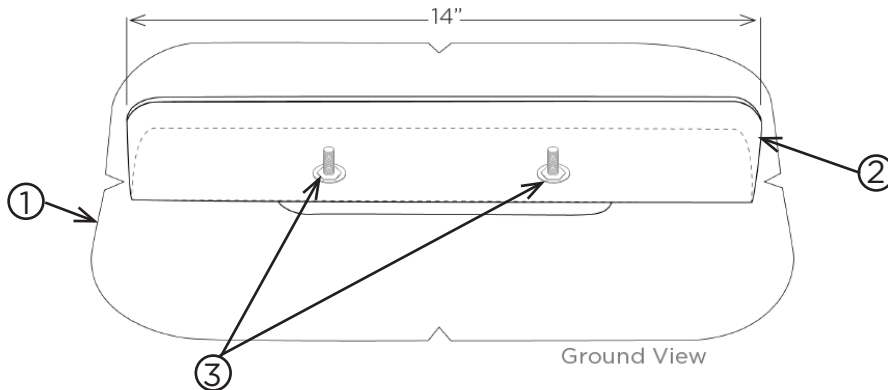
Our Unitized Snow Fence System is designed to handle extreme loads which allows for fewer attachments and reduced labor.

Features:

- Permanent lightweight snow fence with superior waterproofing without the need for compression seals to exceed the long term needs of your project.
- Low-profile of snow bars prevents snow creep and typically eliminates the need for snow flags / restrictor plates.
- System utilizes U-Anchor 3000-S Series Attachments manufactured using type and brand specific roofing materials to maintain your roof warranty.
- The U-Anchor installs in less than 5 minutes while the snow fence system installs quickly & easily - reducing on-site labor expenses.
- The Unitized snow fence system is manufactured of high tensile aluminum and boasts superior loads allowing for increased spacing of brackets - reducing costs.
- More options:
 - Custom colors available (mill finish is the standard)



Snow fence system is a vital component of your total roof system when designed and installed correctly. The Snow Fence System will protect your building assets, your roof, and visitors.



UNITIZED SNOW FENCE SYSTEM INCLUDES:

- 1- U-Anchor 3000-S Series
- 2- Unitized Bracket
- 3- Flange Nut and Washers

ADVANTAGES

U-Anchor 3000-S Series anchors are compatible with all major North American commercial roof types and brands.

3000-S Series anchors are watertight and tested for load capacity.

Easily installed with minimal parts.

All exposed components and hardware are stainless steel, aluminum, or other non-corrosive materials.

Snow Fence System can be installed any time of the year.

Contact **Anchor Products Technical Services** for assistance with your custom mounting solution.