

## Overview

Natural environmental events can cause rooftop equipment that is not properly secured to slide, lift and overturn. To prevent this, equipment should be securely attached to the roof surface.

The **AP Solution™ EBK 0910 Electrical Disconnect Box Securement System**, offers the perfect solution to avoid accidents and roof leaks during wind or seismic event, keeping your roof free from damage and unnecessary maintenance expenses. The Electrical Disconnect Box Securement System by Anchor Products attaches to your roof without voiding your roof warranty.

The 3000 Series U-Anchor Attachment by Anchor Products can withstand over 4,000 pounds of tension force, which provides exceptional strength to hold down electrical boxes on the rooftop and prevent movement that can lead to the roof leaks and damage.

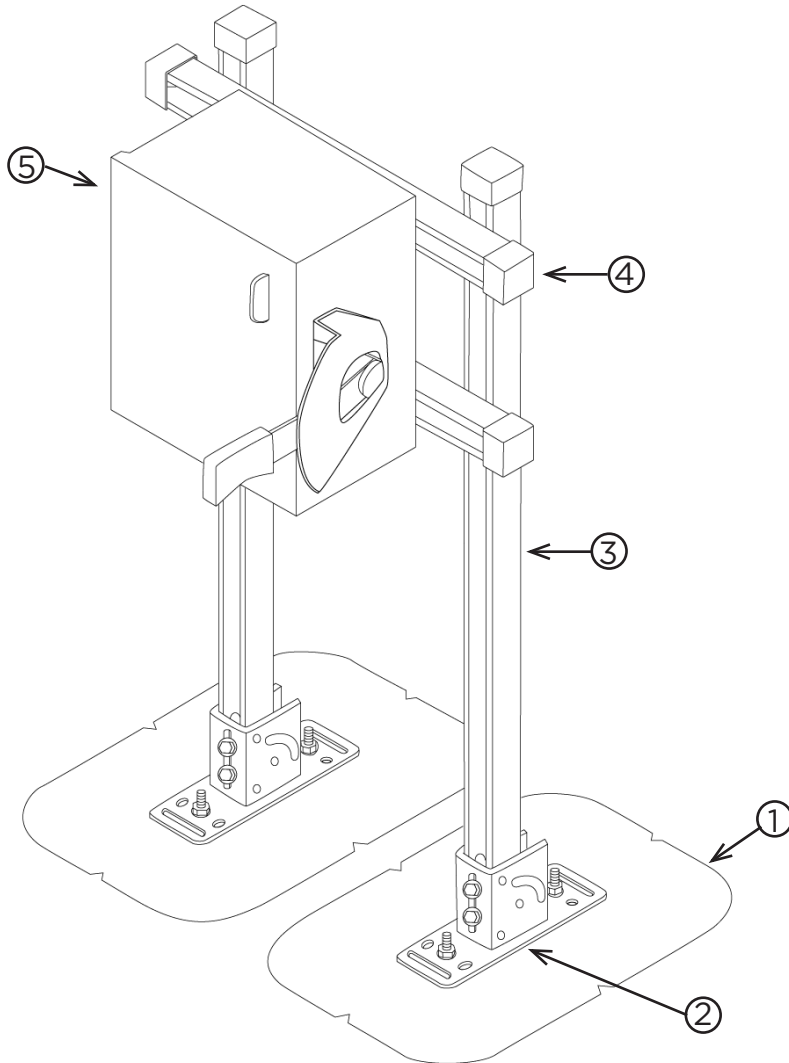
## Features:

- Attaches safely to EPDM, TPO, PVC, asphalt and coated roofs using a U-Anchor™ 3000 Series Attachment.
- U-Anchors match roofing material type and brand.
- The force resistance of each U-Anchor can exceed 4,000 lbs in tension and 9,000 lbs in shear.
- U-Anchor is accepted by all major North American roofing manufacturer, allowing warranties to remain in effect.
- All exposed components are made of stainless steel, aluminum, and other non-corrosive materials.

*ASCE 7-16 code requires all rooftop equipment to be bolted, welded, or otherwise positively fastened without consideration of frictional resistance.*



Water-tight, seal-less technology, without voiding the roof warranty.



**Electrical Disconnect Box Securement System**

**ELECTRICAL DISCONNECT BOX  
SECUREMENT SYSTEM INCLUDES:**

**1- U-Anchor 3000 Series Attachment.**

**2- Adjustable Strut Bracket, Flange nut and Washer.**

**3- Framing Material:** 1-5/8 x 1-5/8 channel strut and associated hardware.

**4- Protective End Caps.**

**5- Disconnect box supplied by others.**

**ADVANTAGES**

The U-Anchor 3000 Series attachment is compatible with all major North American commercial roof types and brands

Using the Electrical Disconnect Box Securement System by Anchor Products keeps your roof warranty intact

U-Anchor 3000 Series attachments provide unmatched strength in shear and tension

Quick and easy to install

3000 Series Anchors provide a water-tight seal

Can be installed any time of the year

*Contact Anchor Products  
Technical Services for assistance with  
your custom mounting solution.*

WARNING! The products included/described herein are protected by patents that are exclusively licensed to Anchor Products (visit [www.anchorp.com/patents](http://www.anchorp.com/patents) for details). Any use of Anchor's products for anything other than their expressed intended purpose or installation other than according to the written instructions provided by Anchor Products shall void all warranties, representations and promises related to the products and Anchor Products disclaims any and all liability associated with the products in such an event. If you have any questions about the proper use or installation of the products, please contact Anchor Products at 888-575-2131.