



Overview

The **AP Solution WSK 0520 Weather Station Mounting System** by Anchor Products is your solution to successfully installing and maintaining the stability of your commercial weather station system. Our system uses the U-Anchor™ 2000 Series Attachment to prevent the adverse effects of rain, or any other weather conditions on your system. The U-Anchor allows for the weather station system to be efficiently mounted at the standard 4-6 ft. above the surface of your roof. Its versatility can ensure that you can easily find the proper spot to prevent obstruction.

Every weather station system is specifically designed for your location and roof. Our system has gone through third party testing by respected engineers and is accepted by all major North-American roofing manufacturers.

ASCE 7-16 code requires all rooftop equipment to be bolted, welded, or otherwise positively fastened without consideration of frictional resistance.

Features:

- All U-anchors used match roofing material type and brand.
- U-Anchor safely attaches to EPDM, TPO, PVC, asphalt and coated roofs without damaging the roof surface.
- U-Anchor is compatible with any roofing weather system manufacturers base and mast.
- Easily installed year-round.
- Each U-Anchor 2000 Series Attachment can resist approximately 3000 lbs. in tension and 4000 lbs in shear.
- More options:
Wall mounted system available
Custom colors available



U-Anchors provide exceptional strength and are compatible with any roofing weather system manufacturer's base and mast

WEATHER STATION SECUREMENT SYSTEM INCLUDES:

- 1- U-Anchor 2000 Series
- 2- 1-5/8 C-Channel
- 3- Stainless Steel Flanged Nut and Flat Washers

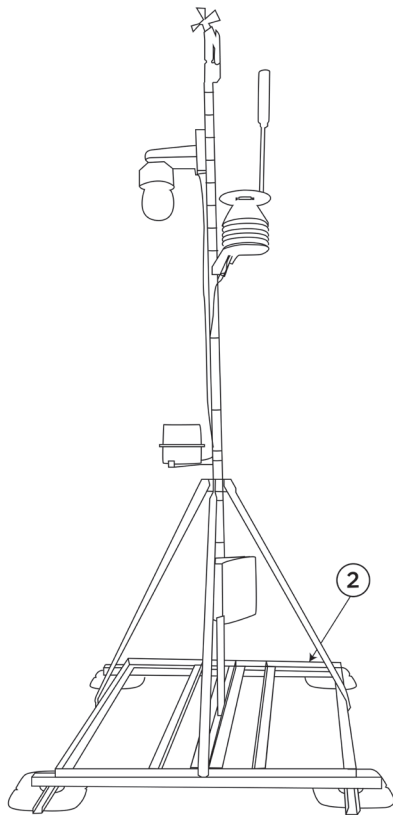
ADVANTAGES

U-Anchors provides exceptional strength and are tested for load capacity.

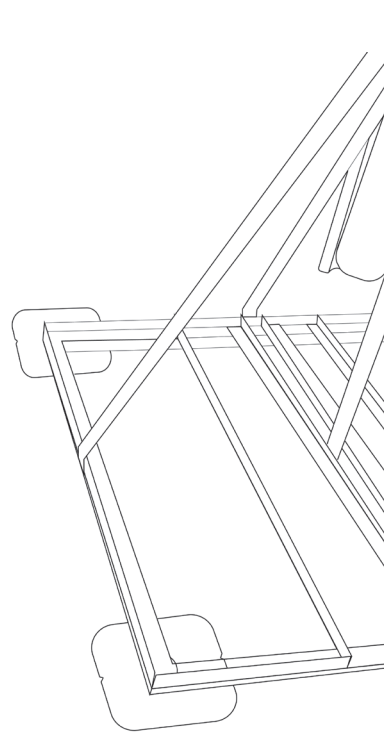
Better look and can be easily integrated with other systems.

Installation is efficient and easy.

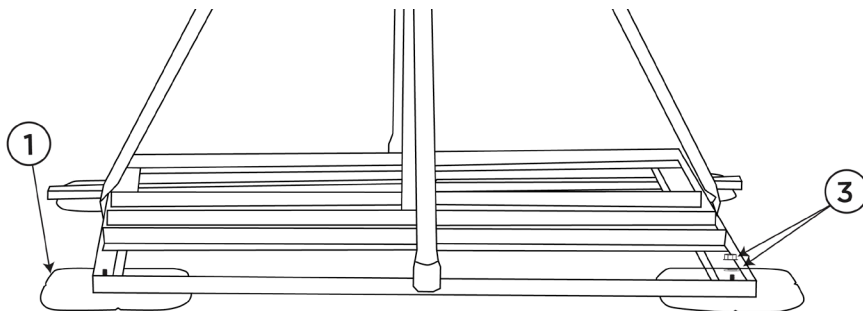
Proper installation of our system will not void the warranty of your commercial roof.



Weather Station Securement



*U-Anchor Securement
(Side View)*



U-Anchor Securement Detail

Contact **Anchor Products**
Technical Services for assistance
with your custom mounting solution.

WARNING! The products included/described herein are protected by patents that are exclusively licensed to Anchor Products (visit www.anchorproducts.com/patents for details). Any use of Anchor's products for anything other than their expressed intended purpose or installation other than according to the written instructions provided by Anchor Products shall void all warranties, representations and promises related to the products and Anchor Products disclaims any and all liability associated with the products in such an event. If you have any questions about the proper use or installation of the products, please contact Anchor Products at 888-575-2131.