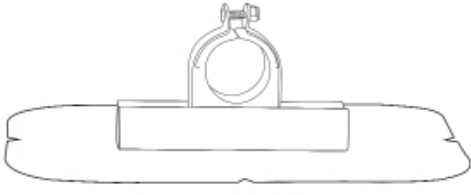




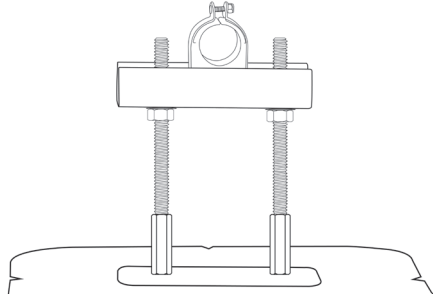
**INSTALLATION INSTRUCTIONS**

Max height : 1-5/8"



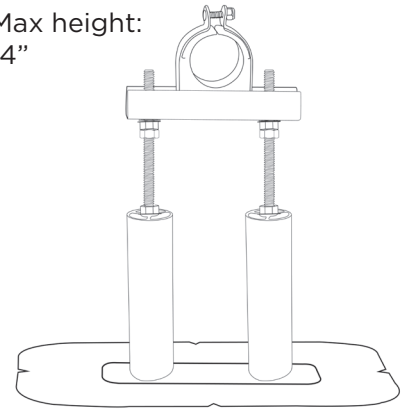
**(A)**

Max height : 8"

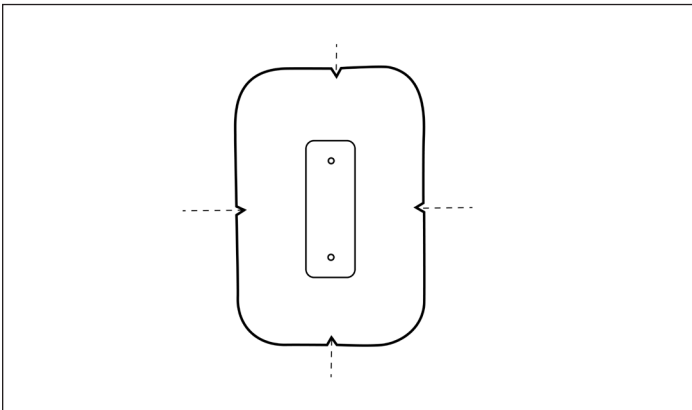


**(B)**

Max height:  
14"

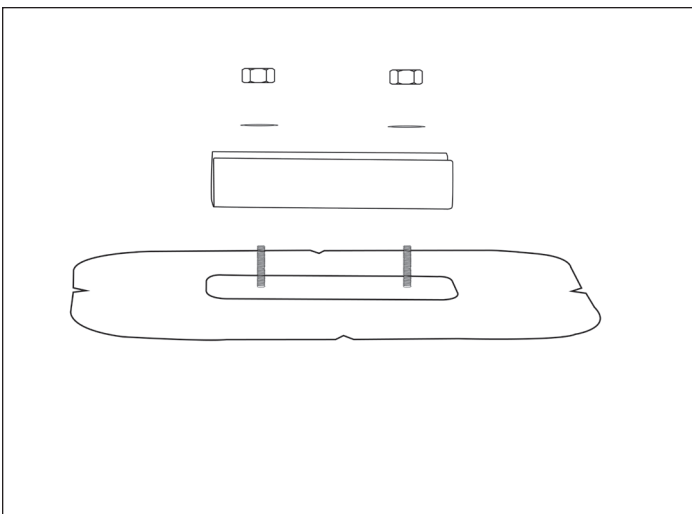


**(C)**



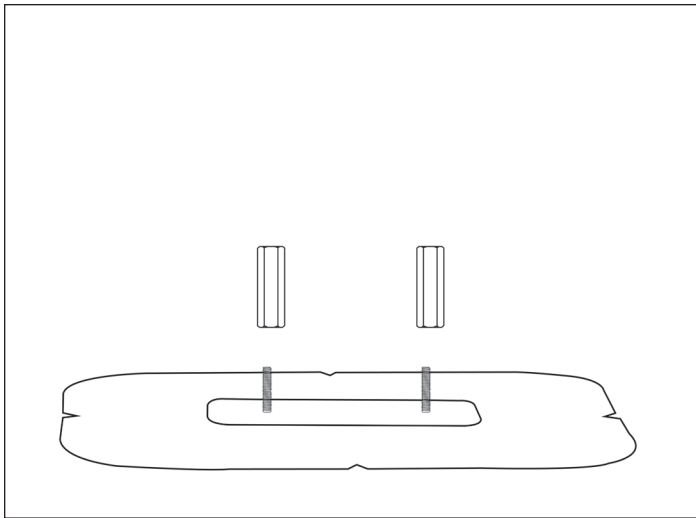
**STEP 1 for configurations A, B, or C**

Align the U-Anchor on the parapet wall as per design requirements and install the U-Anchor according to the install instructions provided by Anchor Products.



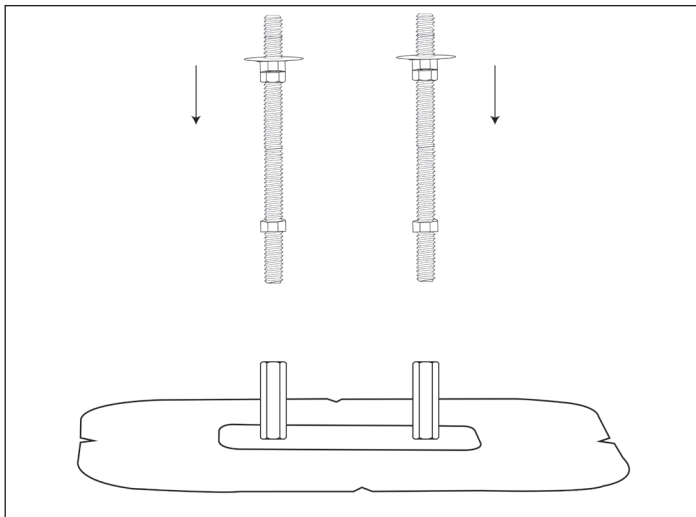
**STEP 2 for configurations A**

Place the strut over the U-Anchor 3000's bolts. Secure the strut to the U-Anchor using the stainless steel hardware and tighten to 20ft/lb.



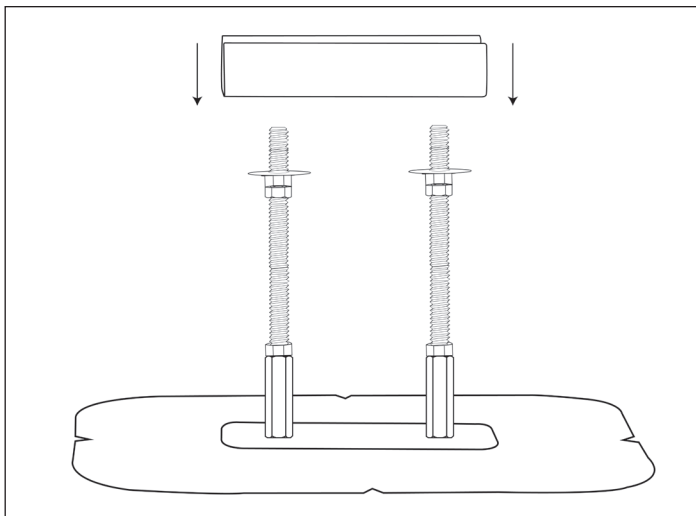
**STEP 2 for configurations B and C**

Thread the stainless steel extension nuts or extension post over the U-Anchor bolts.



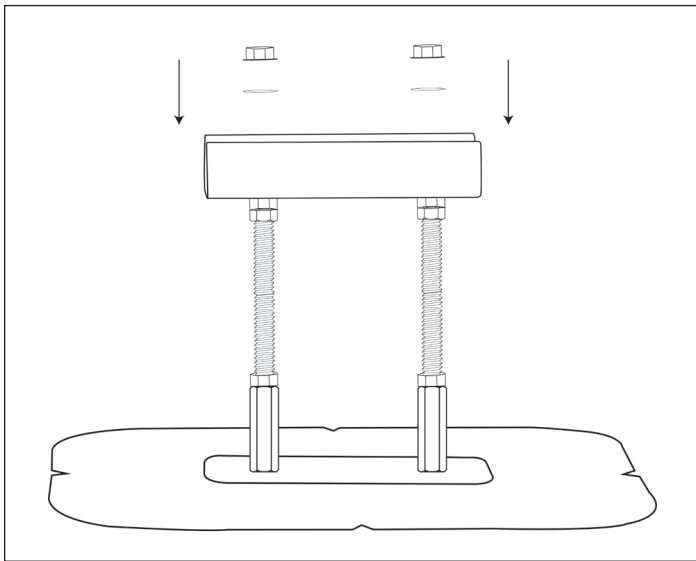
**STEP 3 for configurations B and C**

Thread the all thread in to the extension nuts or extension post with the single nut end downwards.



**STEP 4 for configurations B and C**

Place the strut over the all thread and rest it on the fender washer and nuts near the top of the all thread.



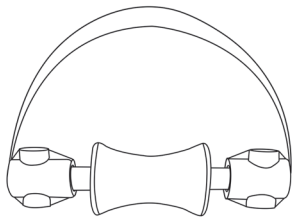
### STEP 5 for configurations B and C

Place the flat washer and thread the flange nut on to the all thread securing the strut.

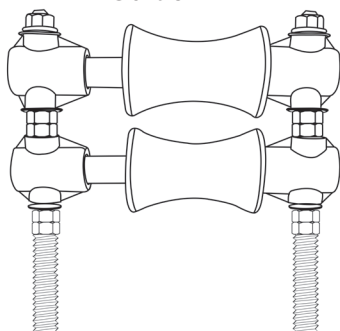
Adjust the height of the strut to match that of the design height of the pipe or conduit being attached by threading the top nut assembly lower or higher as needed.

Once the height is set, lock the 2 nuts (below the strut) together by tightening them against one another. Continue tightening all other hardware throughout each of the hardware components in the assembly. All hardware components should be tightened to approximately 20 ft-lbs.

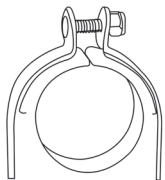
### Pipe and Conduit Securement Accessories



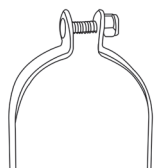
Roller With Guide



Double Roller



Pipe Clamp With Cushion



Pipe Clamp

### STEP 3 (Configuration A) and Step 6 (Configurations B and C)

Secure the pipe or conduit to the strut using the designed securement with pipe clamp, pipe clamp with cushioning, rollers or other securement(s) as per the design.