



Overview

The rooftop of a commercial building is the logical place to keep critical assets like plumbing, electrical and gas pipes. The **AP Solution PSS Roof Pipe Securement System** provides the perfect solution to safely secure your plumbing or conduit system to the roof.

The **Pipe Securement Solutions** from Anchor Products give you a range of versatile options to create the perfect solution for your pipe support needs. The Roof Pipe Securement System is secured by U-Anchor 3000 or 2000 Series Attachments are easily customized to meet specific project needs.

The Roof Pipe Securement System by Anchor Products, is the only pipe support system in the market that is mechanically attached with a water-tight anchor that is accepted by all major North American roofing manufacturers and will not void your roof warranty when properly installed.

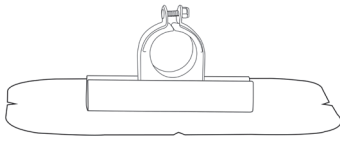
Features:

- Advanced system incorporating U-Anchors strength to better secure pipes, preventing pipe movement caused by wind and other forces.
- Can be used with nearly any manufacturers pipe support system to provide proper securement.
- U-Anchors when installed properly will perform as designed for the life of the roof without any harm to the roof material.
- Versatile system can be installed flush with the roof surface or up to 14" in height* and from 8" to 48" wide**, the perfect pipe support and securement system secured by the U-Anchor 3000 or 2000 Series Attachments. (*For greater than 14" heights see our H-Frame and MEP Frame Systems.**For greater than 48" wide a custom solution using additional supports is available)

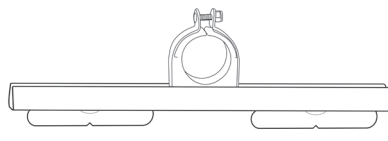
ASCE 7-16 code requires all rooftop equipment to be bolted, welded, or otherwise positively fastened without consideration of frictional resistance.



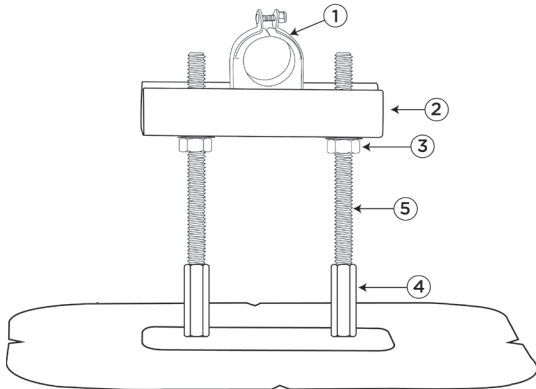
Versatile system for all your pipe securement needs.



PSS 0300



PSS 0305

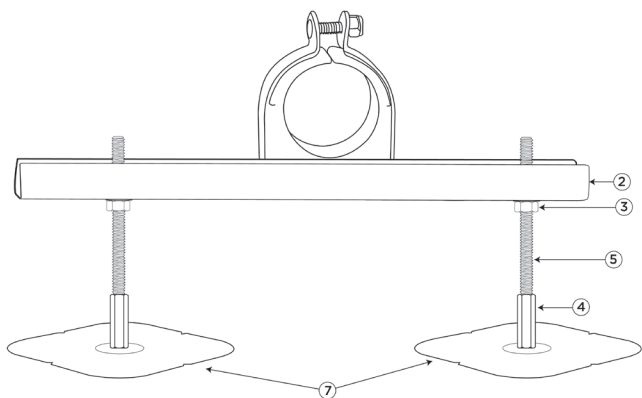
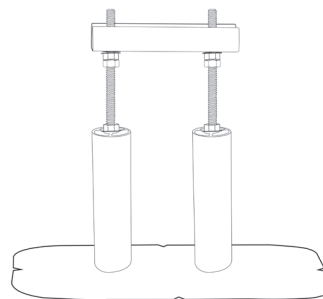


PSS 0310

PSS 0325



PSS 0320



PSS 0315

Optional Accessories



ROOF PIPE SECUREMENT SYSTEM INCLUDES:

- 1- Three sided strut bracket
- 2- Hardware
- 3- 2" Coupling Nut
- 4- All Thread
- 5- U-Anchor 3000 Series or U-Anchor 2000 Series

Optional:

- 1- Pipe Clamp with Cushion
- 2- Extension Post

ADVANTAGES

System provides incredible flexibility in developing a custom solution to meet your needs with more than 700 different configurations and sizes.

Can be used to support one pipe or multiple pipes as needed.

PSS 0300 can easily be installed as a retrofit securement system on an existing roof and pipe project as needed to eliminate problematic pipe migration.

Contact Anchor Products Technical Services for assistance with your custom mounting solution.