



Overview

Running critical pipes and conduits on commercial roofs is a necessity for systems carrying heavy loads. A system that allows for a secure attachment and strength holding larger lateral loads provides the best solution. Uphold your commercial rooftop pipe system in an efficient and effective manner by utilizing our **AP Solution MEP 0660 M.E.P. Frame System**.

The **M.E.P. frame** is designed and engineered for specific loads and code compliance. The system is secured using the U-Anchor™ 2000 Series Attachments. Anchor Products offers this securement system in variable sizes to fit your project needs.

Respected third party engineers have tested and approved the **M.E.P. Frame system**. The U-Anchor is accepted by all major North American roofing manufacturers.

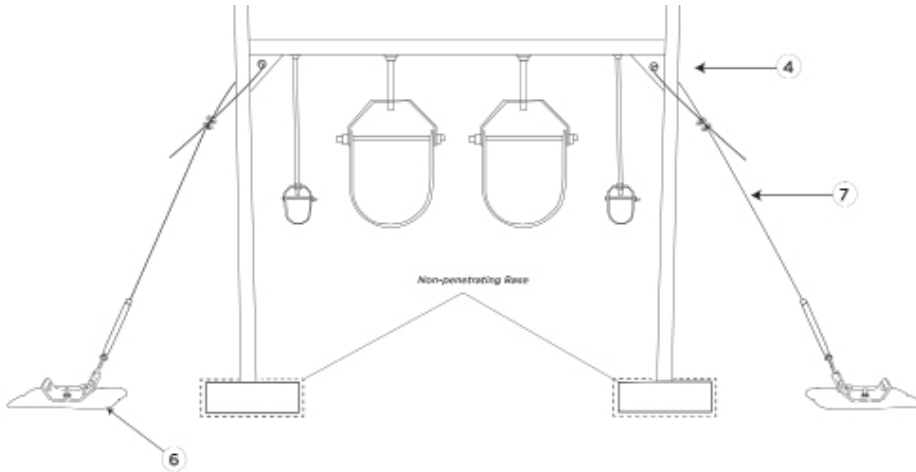
ASCE 7-16 code requires all rooftop equipment to be bolted, welded, or otherwise positively fastened without consideration of frictional resistance.

Features:

- Customizable options to fit your commercial roofing needs.
- Frame Designed for Gravity Loading and Securement.
- Load Management Plates are available as optional accessories, adding additional strength to your system.
- U-Anchor provides a strong securement to your system that can withstand high winds and other natural hazards.
- Holding value of each U-Anchor attachment can exceed 3000 lbs. in tension and 4000 lbs. in shear.
- Attaches safely to TPO, PVC, EPDM, asphalt and coated roofs without damaging the roof with the U-Anchor.
- All exposed components and hardware are stainless steel, aluminum, or other non-corrosive materials.



Holding Value of Each U-Anchor Attachment Can Exceed 3000 lbs. in Tension and 4000 lbs. in Shear.



M.E.P. Frame Securement

M.E.P FRAME SYSTEM INCLUDES:

- 1- 30/30 Bracket
- 2- Turnbuckle
- 3- Thimble
- 4- Wire Rope Clip
- 5- Stainless Steel Flanged Nut and Flat Washers
- 6- U-Anchor 2000 Series
- 7- Wire Rope (Cable)

ADVANTAGES

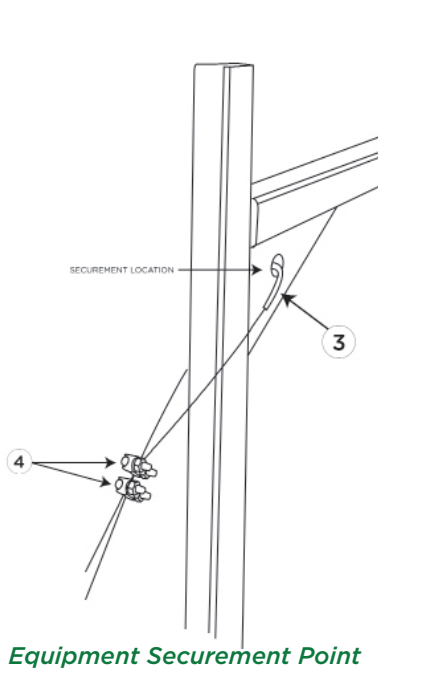
Custom lengths for guy wire and adjustable strut bracket options available

System built to withstand environmental hazards

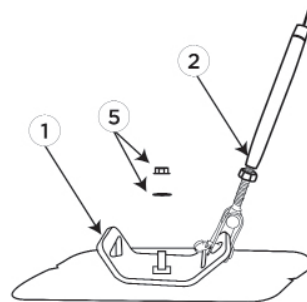
Accepted by all major North American roofing manufacturers

Allows for heavy pipes to be upheld and secured

Call and ensure that you have a system that fits the needs of your rooftop – customizable options available



Equipment Securement Point



U-Anchor Securement Point