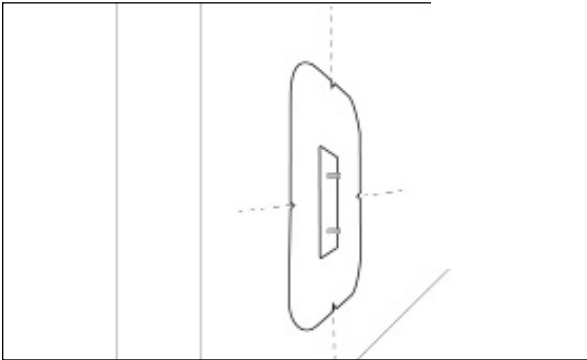




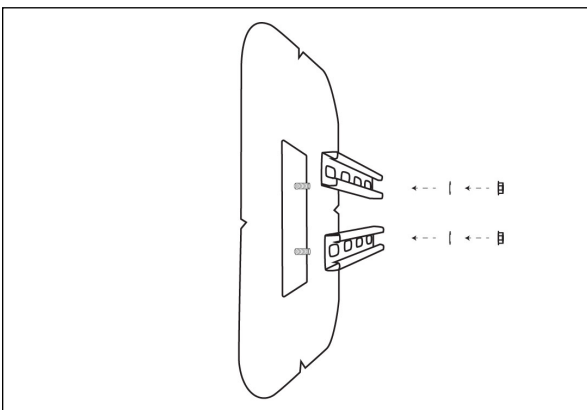
INSTALLATION INSTRUCTIONS



STEP 1

Align the U-Anchor 3000™ Series Attachment vertically.

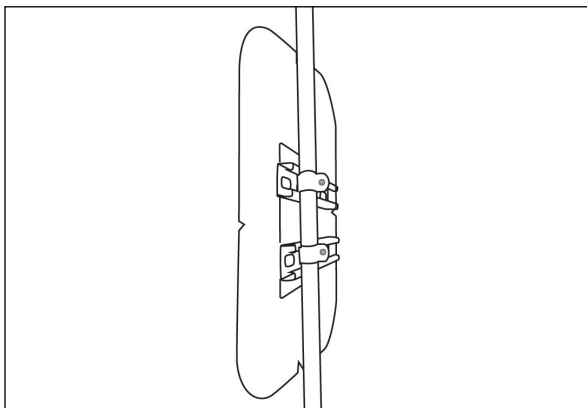
Install the U-Anchor as per instructions provided by Anchor Products and in compliance with the roofing manufacturer requirements. Make sure to follow any applicable pre-installation and post installation requirements according to the engineered design.



STEP 2

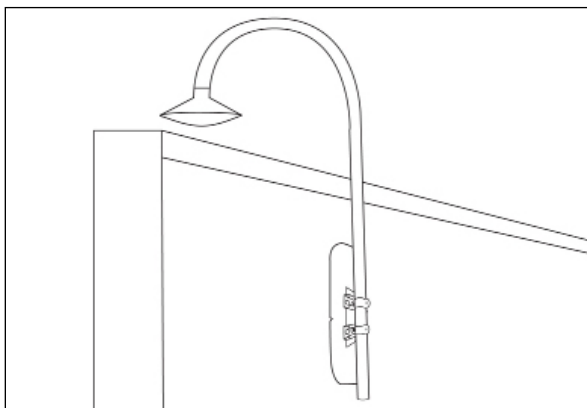
Attach the two pieces of channel strut horizontally. One over the top bolt and the second over the bottom bolt.

Secure the channel strut using the provided stainless steel washer and nut.



STEP 3

Secure the provided round pipe using properly sized pipe clamps.



STEP 4

Position the height as needed and tighten the clamps.