

## Overview

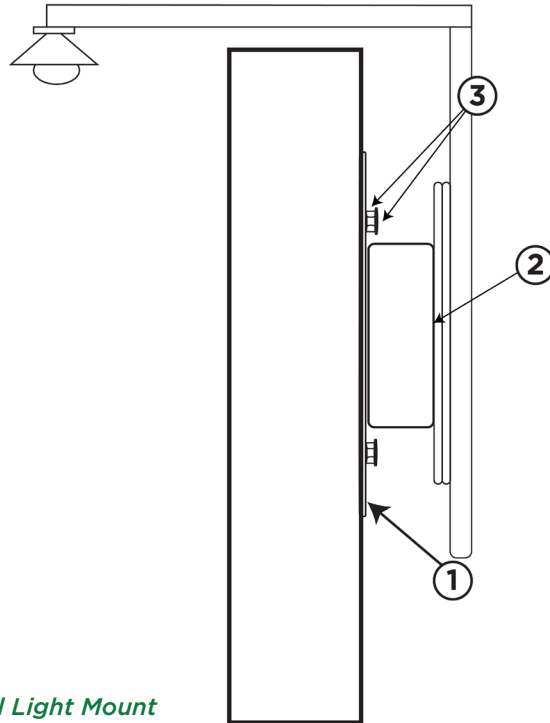
The further we advance in commercial building maintenance and technology; the more rules and regulations tend to change. Recent code changes now require rooftop accessories to be securely attached to the roof and not ballasted. Exterior lighting is crucial to any commercial building, hence it needs to be installed securely to avoid accidents or failures and also to be code compliant. **The AP Solution™ LMK 0510 Exterior Light Mount System** provides an easy solution for installation, a secure base, and assurance that your rooftop lighting system is up to building code and specifications.

The exterior light mount system uses the U-Anchor 3000 Series Attachments to provide extreme strength. Each commercial rooftop lighting system is developed with your commercial roof in mind.

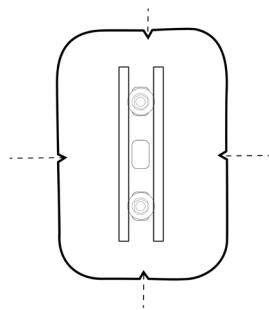
*ASCE 7-16 code requires all rooftop equipment to be bolted, welded, or otherwise positively fastened without consideration of frictional resistance.*

## Features:

- U-Anchors used match roof materials and brand
- U-Anchor safely attaches to EPDM, TPO, PVC, asphalt and coated roofs without damaging roof surface
- Holding value of each U-Anchor attachment can exceed 3000 lbs. in tension and 4000 lbs. in shear.
- Additional Options  
Custom Colors available  
Roof and Wall Mount options available



*Round Pipe Wall Light Mount*



*U-Anchor Securement Detail*

### EXTERIOR LIGHTING MOUNT SECUREMENT SYSTEM INCLUDES:

- 1- U-Anchor 2000 Series
- 2- 1-5/8 C-Channel
- 3- Stainless Steel Flanged Nut and Flat Washers

### ADVANTAGES

Secure and sustainable mounting base.

Versatility of placement options.

U-Anchor made to match rooftop materials.

U-Anchor accepted by all North American Rooftop Manufacturers.

U-Anchor provides proven strength to securely mount your system and prevent damage in high-wind and seismic events.

Attaches safely to TPO, PVC, EPDM, asphalt and coated roofs.