

Overview

Commercial rooftop inflatables are a great way to catch the attention of people passing by. Whether you choose to utilize one of the gorillas, a blimp or other models, there are codes and regulations that need to be followed to secure them on your roof. The **AP U-Solution™ ITD 0650 Inflatable Securement System** is your answer to safely and efficiently installing your rooftop inflatable.

The **Inflatable Securement** solution provides you with a stable and secured system to mount your commercial rooftop inflatable in accordance with applicable standards and codes.

Our system is secured using U-Anchor 2000™ Series Attachments. These attachments can withstand approximately 3000 lbs. of tension force, making sure your system is held in place during extreme wind or other natural events. U-Anchors are made with the material and brand of your commercial roof to avoid voiding your roof's warranty.

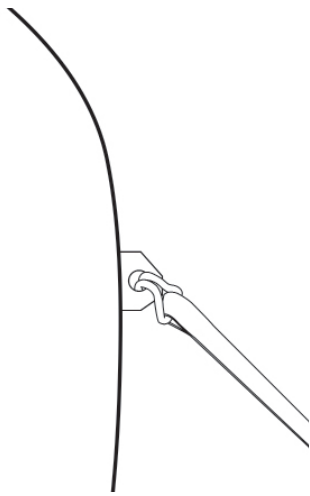
Features:

- Attaches safely to TPO, PVC, EPDM, asphalt and Coated roofs without damaging the roof surface.
- All exposed components and hardware are stainless steel, aluminum, or other non-corrosive materials.
- Each U-Anchor 2000 Series Attachment can resist approximately 3000 lbs. in tension and 4000 lbs in shear.
- Accepted by all major North American roof manufacturers.

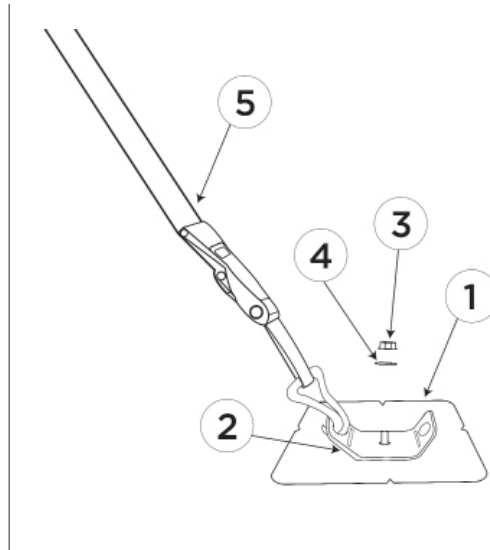
ASCE 7-16 code requires all rooftop equipment to be bolted, welded, or otherwise positively fastened without consideration of frictional resistance.



The Inflatable Securement System ensures that you attach your inflatable to the roof in a secure manner with the required codes & regulations.

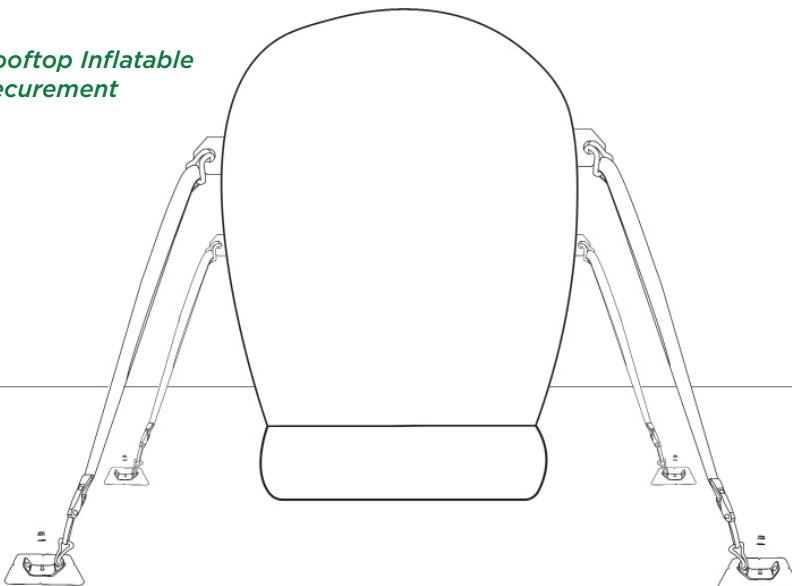


Inflatable Attachment Point



U-Anchor Securement Point

Rooftop Inflatable Securement



ROOFTOP INFLATABLE SECUREMENT SYSTEM INCLUDES:

- 1- U-Anchor 2000 Series
- 2- 30/30 Bracket
- 3- Stainless Steel Flanged Nut
- 4- Stainless Steel Flat Washers
- 5 - Tie down or ratchet straps (Not supplied by Anchor Products. If custom cables are needed, please contact Anchor Products.)

ADVANTAGES

The **Inflatable Securement System** ensures that you attach your inflatable to the roof in a secure manner with the required codes and regulations in place

The U-Anchor provides unmatched strength and protection against high winds and other natural hazards

AP Solutuion™ ITD 0650 is quick and easy to install

The U-Anchor matches the materials of your commercial roof and is accepted by all major North American roofing manufacturers