

Overview

Finding the right solution for your duct, pipe and cable tray system is pertinent to the development and maintenance of your commercial roof. An H-Frame could enable you to uphold your system at the necessary height. **The AP Solution™ HFR 0630 H-Frame Securement System** provides the necessary height with strength and secured mounting for your rooftop equipment.

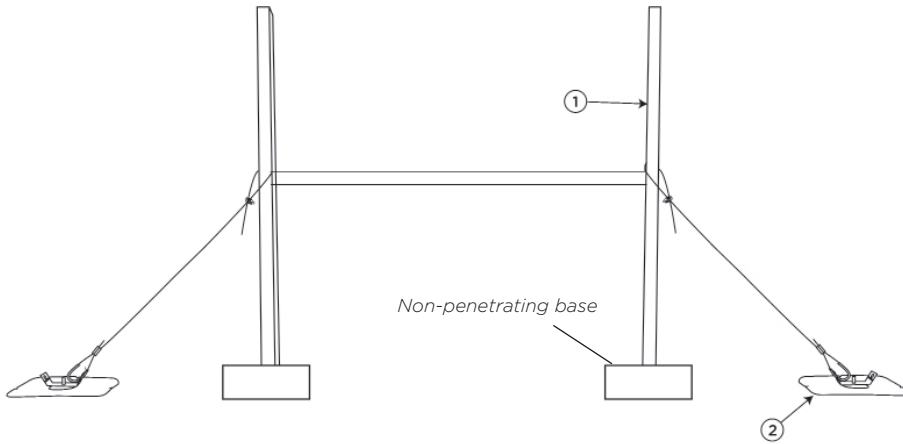
The H-Frame System is engineered to ensure member/component capacities and deflection criteria are not exceeded. It utilizes the U-Anchor 2000 Series Attachment. The U-Anchor can resist approximately 3000 lbs. in tension and 4000 lbs. in shear. This attachment makes the system able to withstand strong winds and other natural events.

Respected third party engineers have tested and approved the H-Frame System. The U-Anchor attachment is accepted by all major North American roofing manufacturers.

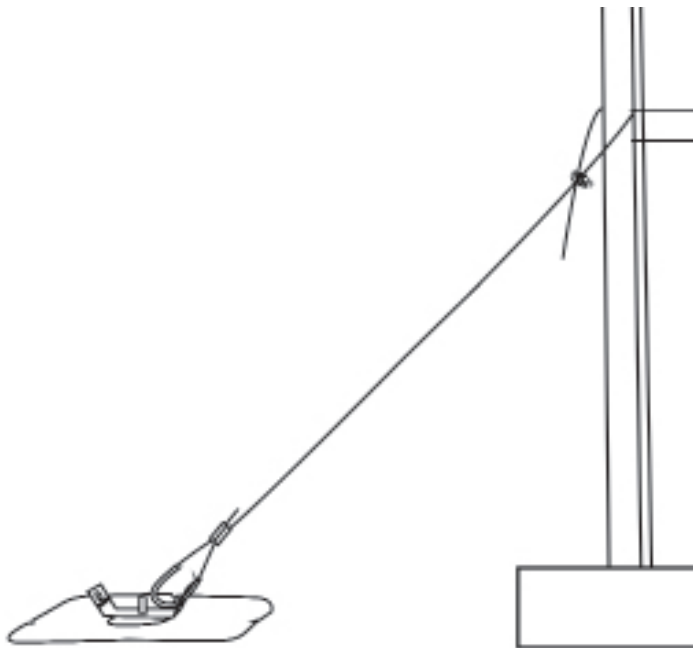
Features:

- **H-Frame Securement System** designed for support and anchorage.
- U-Anchor provides you with a stable securement that can withstand high winds, seismic conditions and other natural hazards.
- Attaches safely to TPO, PVC, EPDM, asphalt and coated roofs without damaging the roof with the U-Anchor.
- All exposed components and hardware are stainless steel, aluminum, or other non-corrosive materials.
- Metal parts consist of aluminum or hot dipped galvanized steel.

ASCE 7-16 code requires all rooftop equipment to be bolted, welded, or otherwise positively fastened without consideration of frictional resistance.



H-Frame Securement



U-Anchor Securement Detail

H-FRAME SECUREMENT SYSTEM INCLUDES:

1- Pre-assembled H-Frame

2- U-Anchor 2000 Series

3- Guy Wire Kit:

- 30/30 Tie Down Bracket
- Stainless steel flanged Nut and Flat Washers
- 3/16 Stainless Steel Aircraft Cable
- Turnbuckle
- Cable Thimble

Optional:

- Top Bar to enclose

ADVANTAGES

System built to withstand environmental hazards.

Accepted by all major North American roofing manufacturers.

Allows for heavier systems critical equipment to be supported and secured.

We provide pipe supports for multiple types of rooftop equipment at various heights. To obtain pricing for the H-Frame securement system, contact us.

*Contact Anchor Products
Technical Services for assistance
with your custom mounting solution.*