



Overview

Equipment screens on commercial roofs conceal unsightly rooftop equipment, reduce equipment noise and wind effects on rooftop equipment and roof assemblies.

The **AP Solution ESS 0850 Equipment Screen Securement** utilizes our U-Anchor 2000 and 3000 Series attachments to provide a securely attached equipment screen to your roof.

The Equipment Screen Securement solution, secured using the U-Anchor, provides extreme strength and resistant against high winds and seismic events. The U-Anchor can be used with most equipment screens.

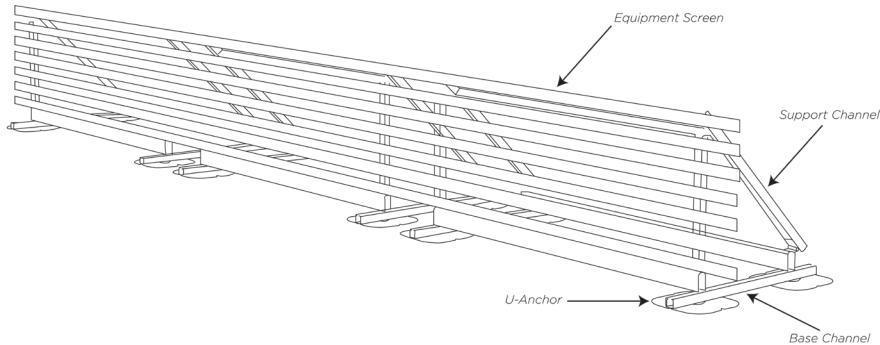
ASCE 7-16 code requires all rooftop equipment to be bolted, welded, or otherwise positively fastened without consideration of frictional resistance.

Features:

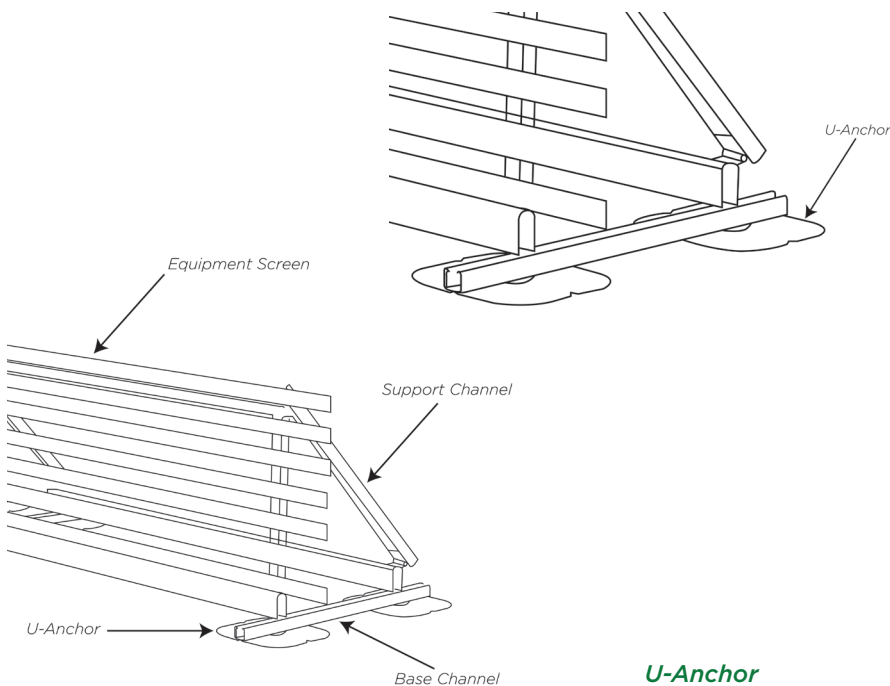
- Attachments that safely connect to TPO, EPDM, PVC, Asphalt and coated roofs without damaging the roof surface using a U-Anchor.
- The U-Anchor 2000 and 3000 can be used with Anchor Products Equipment Screen and Frame or with most other equipment screens.
- Quick and easy install that can be done any time of year.
- Options for specific and/or unique materials and custom colors available.
- Stainless steel hardware will not corrode on the roof.



**Conceal unsightly rooftop equipment with the help of AP
Solution 0850 By Anchor Products**



Equipment Screen Securement



**U-Anchor
Securement Detail**

**EQUIPMENT SCREEN
INCLUDES:**

Each equipment screen solution will be created as a custom design in accordance with your project's requirements, including U-Anchor 2000 or 3000 Series Attachments, aluminum framing and a variety of fence options.

ADVANTAGES

Safely attach equipment screens to TPO, PVC, EPDM, asphalt and coated roofs without damaging the roof.

System is able to withstand high winds and seismic events.

Customizable system with the material, sizes and design that you need.

Versatility of the U-Anchor attachment provides more options for placement on your rooftop.

*Contact **Anchor Products**
Technical Services for assistance
with your custom mounting solution.*