



Overview

Your building's exhaust system is one of the most critical parts of your rooftop systems. They system ensures that your building is properly releasing all the heat fumes, moisture, and odors that become trapped in your commercial building while also providing improved air quality for your occupants and guests. **The AP Solution ESS 0670 Exhaust Securement** solution facilitates your need for a securely mounted system and follows the unique requirements specified by your local building code and standards.

The Exhaust System Securement is attached using our U-Anchor 2000 Series Attachments, providing exceptional strength to hold your system in place. When Installed correctly, the U-Anchors and ESS 0670 solution, will perform as designed, remaining permanently secured and watertight for the life of the roof.

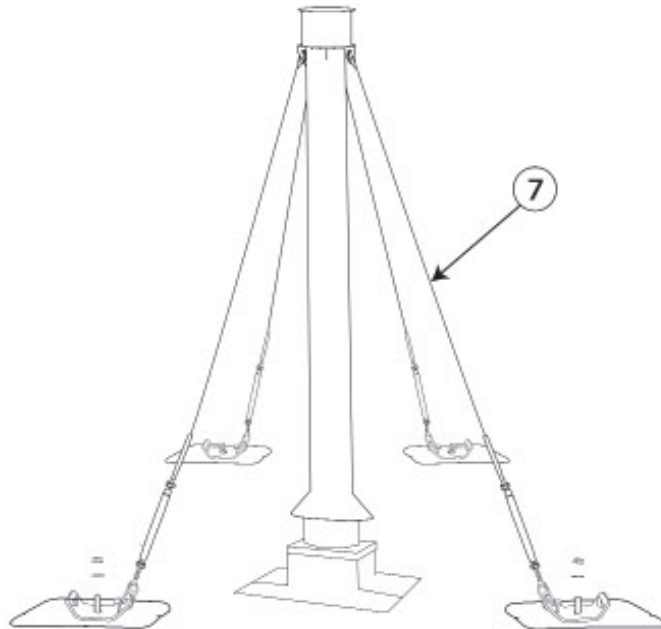
ASCE 7-16 code requires all rooftop equipment to be bolted, welded, or otherwise positively fastened without consideration of frictional resistance.

Features:

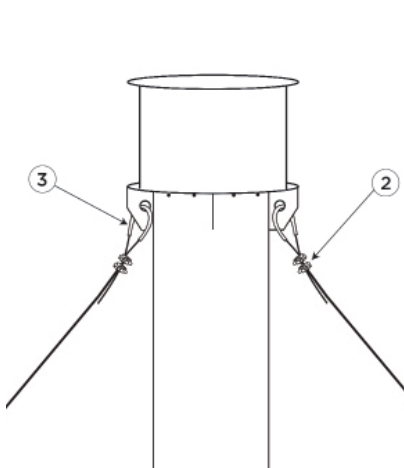
- System built with your roofing material needs in mind.
- Each U-Anchor 2000 Series can resist approximately 3000 lbs. in tension and 4000 lbs. in shear.
- System attaches safely to TPO, PVC, EPDM, asphalt and coated roofs without damaging the roof surface.
- U-Anchor is allowed and accepted by all major North American roofing manufacturers maintaining all roof warranties.
- All exposed components and hardware are stainless steel, aluminum, or other non-corrosive materials.
- Cables come standard at 10', but are available in custom lengths up to 100'.



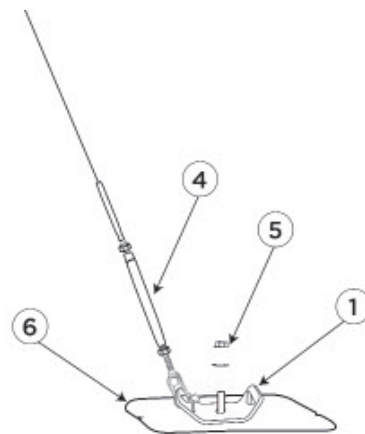
The Exhaust System Securement is attached using Anchor Products U-Anchor 2000 Series Attachments that provide exceptional strength to hold your system in place.



Exhaust Securement



Equipment Securement Point



U-Anchor Securement Point

EXHAUST SECUREMENT SYSTEM INCLUDES:

- 1- 30/30 Bracket
- 2- Wire Rope Clip
- 3- Thimble
- 4- Turn Buckle
- 5- Stainless Steel Flanged Nut and Flat Washers
- 6- U-Anchor 2000 Series
- 7- 3/16 SS Wire Rope

ADVANTAGES

The ESS 0670, secures your exhaust system through high winds and other natural threats.

System is compliant with FM 4481 which requires all positive mechanical attachments for all "rooftop accessories."

U-Anchor materials matched with roofing materials.

The 3/16", 7x19 stainless steel wire rope offers a breaking strength of approximately 3700 lbs. *(Other wire rope options available upon request.)*