

Overview

Natural environmental events can cause rooftop equipment that is not properly secured to slide, lift and overturn. To prevent this, equipment should be securely attached to the roof surface.

The **AP Solution™ EBK 0900 Electrical Box Roof Mount**, offers the perfect solution to avoid accidents and roof leaks during wind or seismic event, keeping your roof free from damage and unnecessary maintenance expenses. The Electrical Box Roof Mount by Anchor Products attaches to your roof without voiding your roof warranty.

The 3000 Series U-Anchor Attachment by Anchor Products can withstand over 3,000 pounds of tension force, which provides exceptional strength to hold down electrical boxes on the rooftop and prevent movement that can lead to the roof leaks and damage.

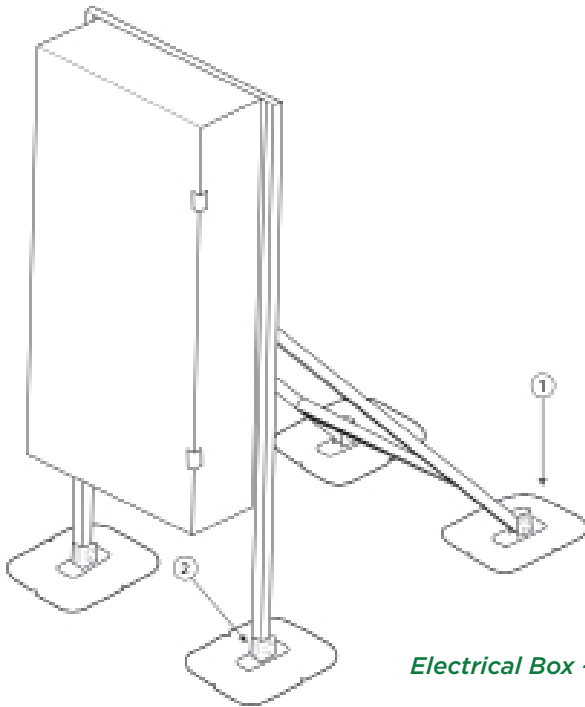
Features:

- Attaches safely to EPDM, TPO, PVC, asphalt and coated roofs using a U-Anchor™ 3000 Series Attachment.
- U-Anchors match roofing material type and brand.
- The force resistance of each U-Anchor can exceed 3,000 lbs in tension and 4,000 lbs in shear.
- U-Anchor is accepted by all major North American roofing manufacturer, allowing warranties to remain in effect.
- All exposed components are made of stainless steel, aluminum, and other non-corrosive materials.

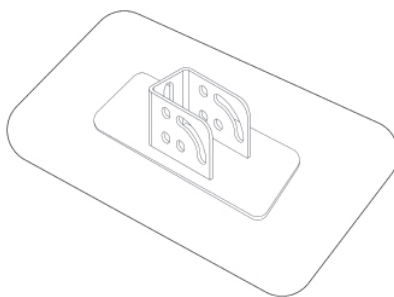
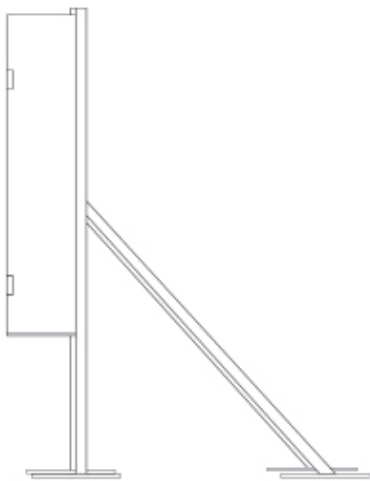
ASCE 7-16 code requires all rooftop equipment to be bolted, welded, or otherwise positively fastened without consideration of frictional resistance.



Water-tight, seal-less technology, without voiding the roof warranty.



Electrical Box - Roof Mounted



U-Anchor Securement Detail

ELECTRICAL BOX - ROOF MOUNTED SYSTEM INCLUDES:

- 1- U-Anchor 3000 Series Attachment
- 2- Vertical Strut Bracket
- 3- Stainless Steel Flanged Nut and Flat Washers

ADVANTAGES

The U-Anchor 3000 Series attachments are compatible with all major commercial roof types and brands

Using the Electrical Box Mount by Anchor Products will keep your roof warranty intact

U-Anchor 2000 Series attachments provide unmatched strength in shear and tension

Quick and easy to install

3000 Series Anchors provide a water-tight seal

Can be installed any time of the year