

Overview

The security of your commercial building is essential and can be enhanced with a roof or wall mounted camera system. Finding a camera system that provides a stable base, follows current building codes and regulations, and provides maximum visibility options can be difficult unless you utilize our U-Anchor Series supported commercial **camera mounting system**.

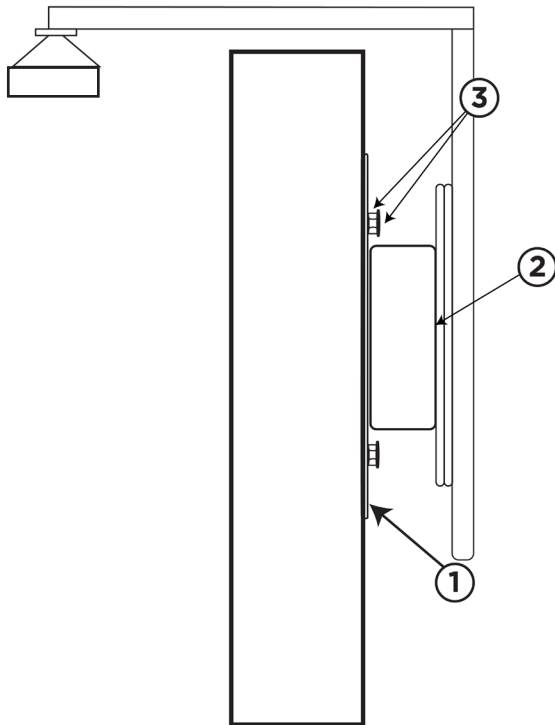
The **AP Solution CAM 0530 Camera Mount System** by Anchor Products ensures that your commercial rooftop camera system is efficiently installed in a safe and stable manner.

The versatility of the U-Anchor Series provides many options for placement and visibility. This is the wall mount option. Each Camera Mount system is designed with your commercial roof material in mind and tested by respected third party engineers. The U-Anchor is accepted by all major North American roofing manufacturers.

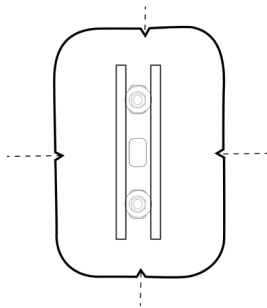
Features:

- U-Anchors match the material and brand of your rooftop.
- U-Anchors safely attach to EPDM, TPO, PVC, asphalt and coated roofs without damaging the roof surface.
- Compatible with most roof camera system manufacturer base.
- More Options:
 - Custom Color

ASCE 7-16 code requires all rooftop equipment to be bolted, welded, or otherwise positively fastened without consideration of frictional resistance.



Camera Mount - Wall



U-Anchor Securement Detail

CAMERA MOUNT - WALL SYSTEM INCLUDES:

- 1- U-Anchor 3000 Series
- 2- 1-5/8 C-Channel
- 3- Stainless Steel Flanged Nut and Flat Washers

ADVANTAGES

System compatible with most manufacturer's camera bases.

U-Anchor provides proven strength to securely mount your system and to prevent damage in high-wind and seismic events.

Attaches safely to TPO, PVC, EPDM, asphalt and coated roofs.