

Overview

Maintaining a safe means of access and egress was one of the big changes made in 2019 with OSHA 1910. ASCE 7-16 then required all rooftop equipment be attached to the surface without being ballasted.

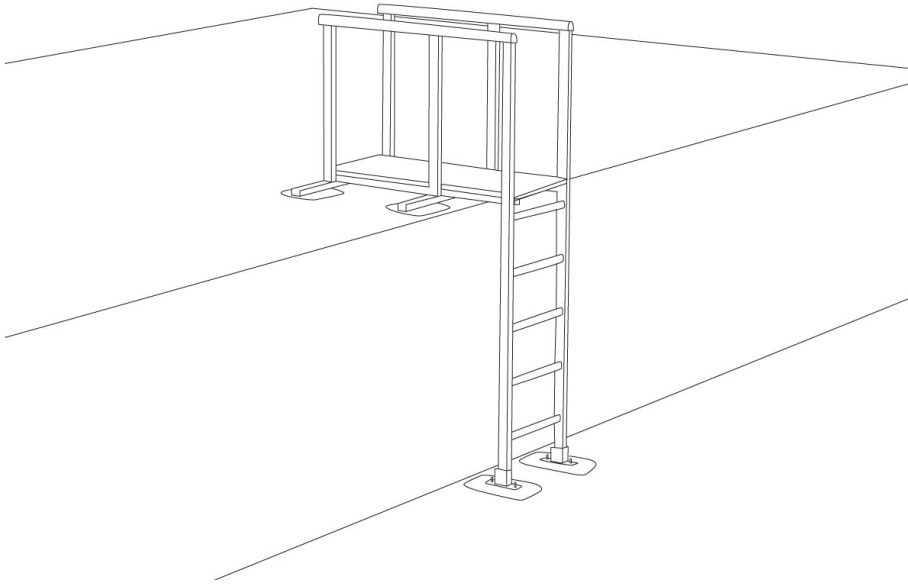
The **AP Solution BLW 0170 Roof Ladder System** provides a secured mount and achieves these new standards. Every roof ladder system is designed with the specifications of your roof, location and other variables in mind. Specify the appropriate series 2000 or 3000 as on the data sheet.

The roof ladder system uses the U-Anchor™ attachments for safe securement of the system. It ensures that your roof isn't penetrated but the system is still securely attached to the rooftop.

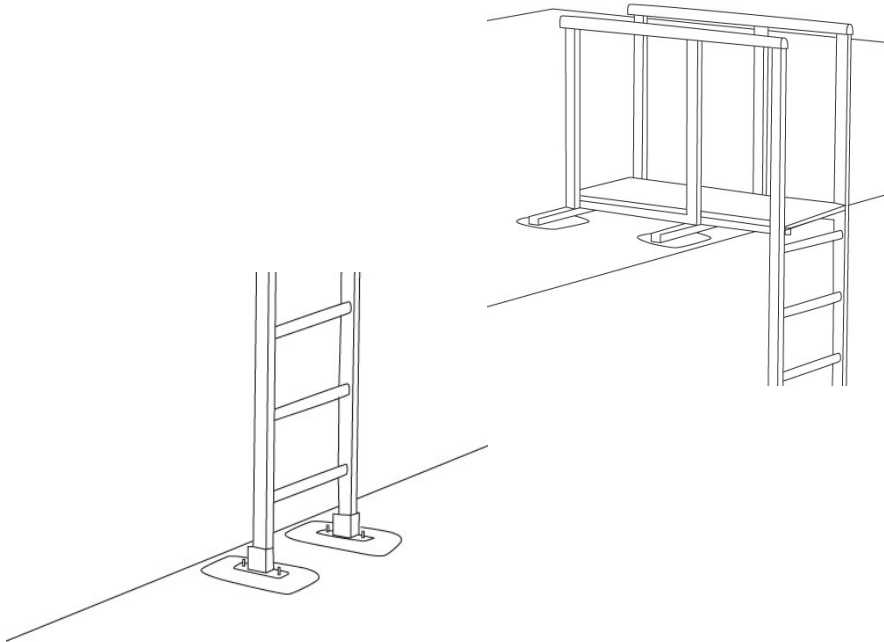
ASCE 7-16 code requires all rooftop equipment to be bolted, welded, or otherwise positively fastened without consideration of frictional resistance.

Features:

- System is compatible with OSHA 1910 and ASCE 7-16 regulations.
- System is custom built for your specific project needs.
- U-Anchors match material and brand of your specific roof.
- Simple instructions with less manpower needed for system installation.
- Custom design and color options available.



Example of Roof Ladder System



ROOF LADDER SYSTEM INCLUDES:

Each **Roof Ladder System** will be created as a custom design in accordance with your project's requirements, including U-Anchor 2000 or 3000 Series Attachments, aluminum framing and a variety of fence options.

ADVANTAGES

Safely attaches to TPO, PVC, EPDM, asphalt and coated roofs.

System installs easily with less manpower and can be installed year round.

Most secured non-penetrating attachment for your roof as opposed to the industry standard methods.

The U-Anchor attaches without damaging your roof surface.

U-Anchor is accepted by all major roofing manufacturers in North America.

*Contact **Anchor Products**
Technical Services for assistance
with your custom mounting solution.*