

Overview

Maintaining a safe means of access and egress was one of the big changes that was rolled out in 2019 with OSHA 1910.

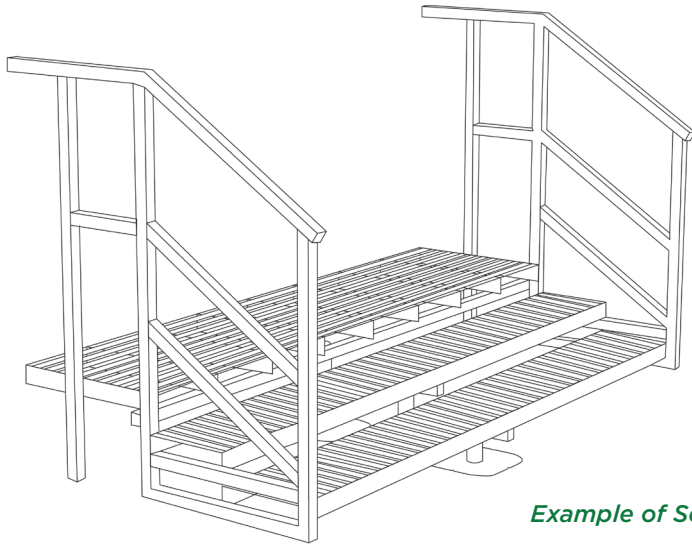
The **AP Solution™ BLW 0150 Access System Securement** for rooftop stairs, walkways, bridges, and access systems provides the perfect mounting solution for your access system with the help of the U-Anchor™.

Every securement solution is designed with the specifications of your roof, surface, location and other variables in mind. The U-Anchor 2000 and 3000 Series Attachments provide an unmatched and reliable anchoring system to ensure that your system remains secured, in place and safe. The holding strength of the U-Anchor will keep the system safely mounted to the roof through high wind conditions, seismic events and other conditions that may cause movement of the equipment.

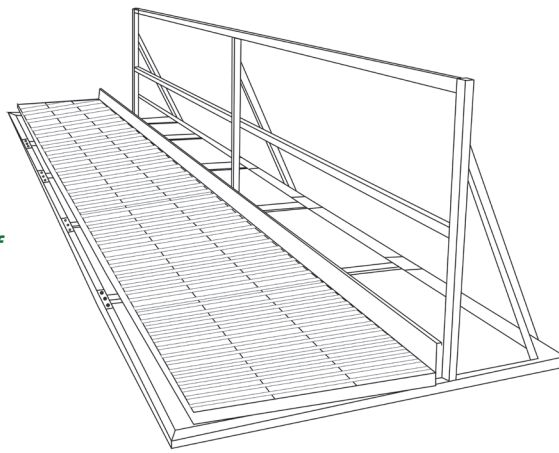
Features:

- Access system securement provides a variety of options such as secured stairs, crossover bridges, roof walkway and many more.
- System is custom built for your project's specific needs.
- All exposed components and hardware are made with stainless steel, aluminum, or other non-corrosive materials.
- U-Anchors match material and brand of your roof.
- Simple and quick install with less manpower needed for installation.

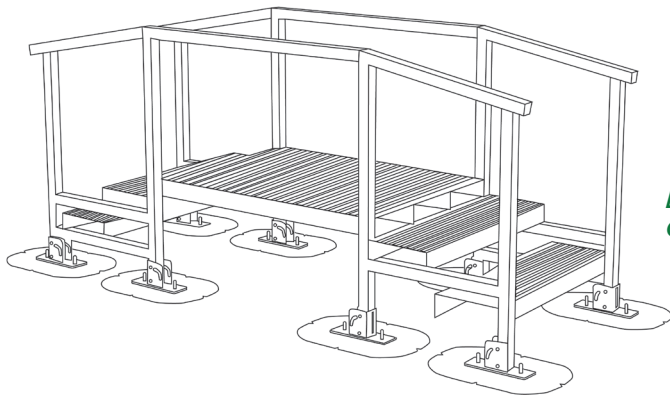
ASCE 7-16 code requires all rooftop equipment to be bolted, welded, or otherwise positively fastened without consideration of frictional resistance.



Example of Secured Stairs



Example of a Secured Roof Walkway



Example of a Secured Crossover Bridge

ACCESS SYSTEM SECUREMENT INCLUDES:

- 1- U-Anchor 2000 or 3000 Series
(as per project requirements)
- 2- Vertical Strut Bracket
- 3- Handrails
- 4- Kneerails
- 5- Stairs
- 6- Platform

ADVANTAGES

Safely and easily attaches to TPO, PVC, EPDM, asphalt and coated roofs.

Install System easily with less manpower, year-round.

The U-Anchor attachment is mounted without damaging your roof surface.

U-Anchor is accepted by all major roofing manufacturers in North America.

*Contact Anchor Products
Technical Services for assistance
with your custom mounting solution.*