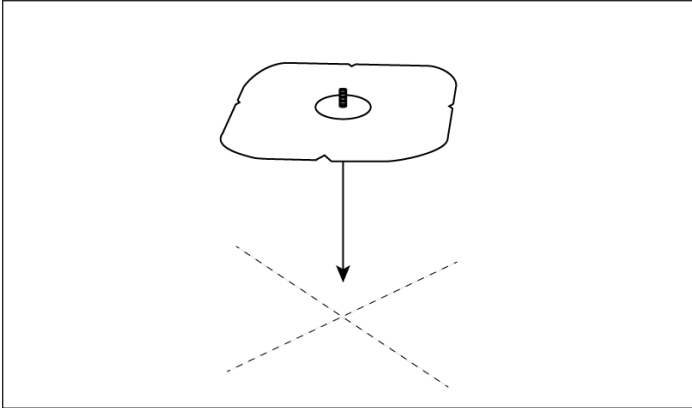




INSTALLATION INSTRUCTIONS

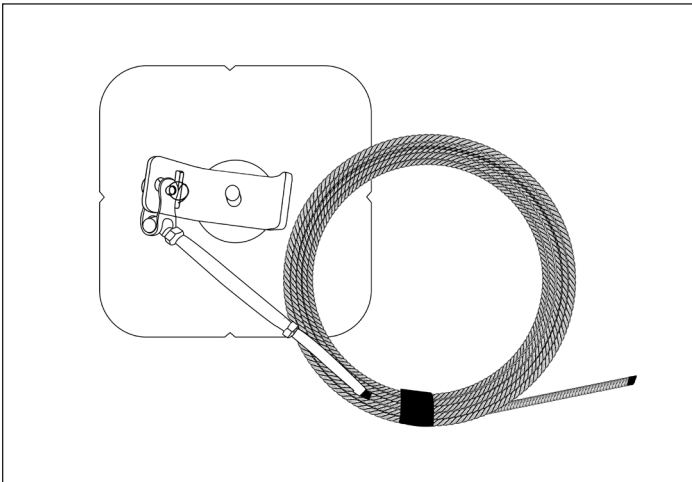
Before getting started confirm the manor and location in which the 3/16" Stainless Steel Cable will connect to the equipment.



STEP 1

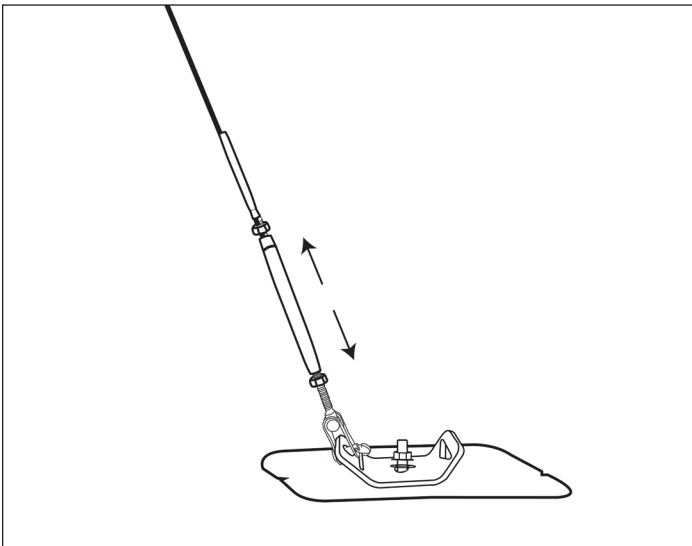
Install the U-Anchor as per instructions provided by Anchor Products and in compliance with the roofing manufacturer requirements. Make sure to follow any applicable pre-installation and post installation requirements according to the engineered design.

Do not proceed until proper U-Anchor location is verified.



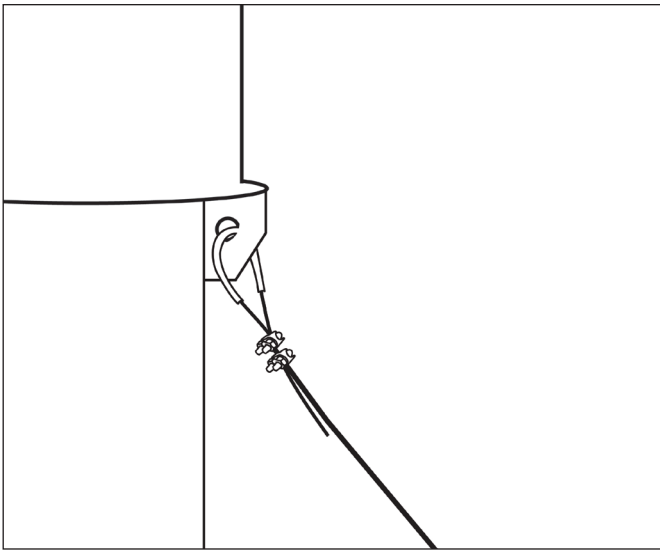
STEP 2

Begin by placing the 30/30 Bracket with the attached cable over the U-Anchor bolt and loosely secure the washer and nut over the bracket.



STEP 3

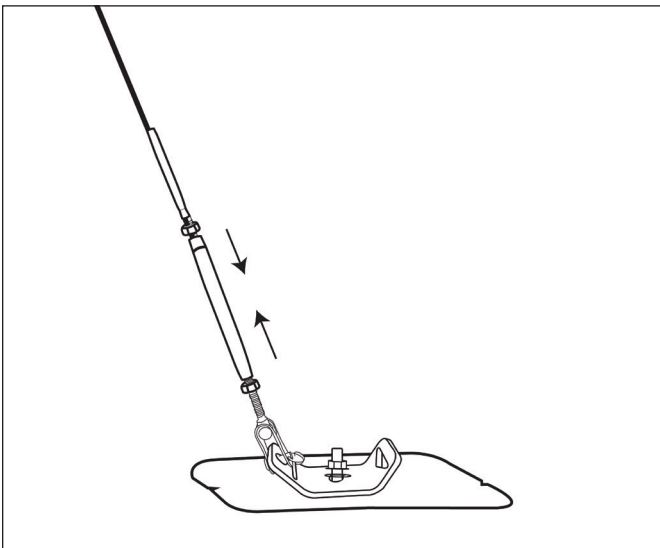
Extend the Turn Buckle to allow wire rope to be tensioned later (after step 5)



STEP 4

Secure the open end of the cable to the equipment as previously determined. Use two or more wire rope clips. A thimble or other device may be needed to protect cable from damage at the connection point.

Remove slack from the line and firmly tighten the nuts on the wire rope clip evenly by alternating as you tighten. The nuts should be tightened to 7.5 Ft. lbs. See drawings for proper application.



STEP 5

Retract the turn buckles uniformly until the desired balanced tension is achieved.