

Overview

Ducting on a roof is easily moved by wind, snow, seismic events, and other natural elements if it is not secured to the roof. This can cause multiple problems, including reduced efficiency, damage to your equipment, the roof and other property.

AP-Solution™ DUC 0610 - Ducting Securement provides an effective and reliable attachment for new or existing duct systems, keeping it in place under the harshest conditions.

The 2000 Series U-Anchor attachment by Anchor Products can withstand approximately 3,000 pounds in tension and roughly 4,000 in shear, which provides exceptional strength to secure rooftop duct systems, protect the roof as well as other air handling components.

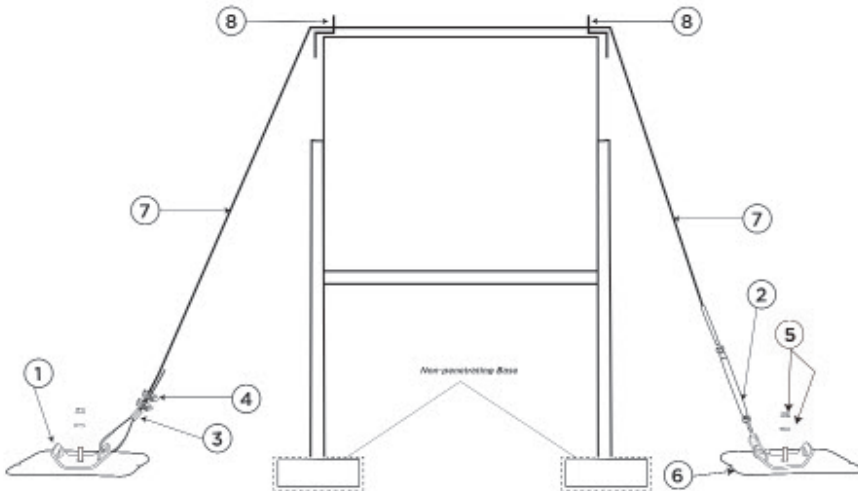
ASCE 7-16 code requires all rooftop equipment to be bolted, welded, or otherwise positively fastened without consideration of frictional resistance.

Features:

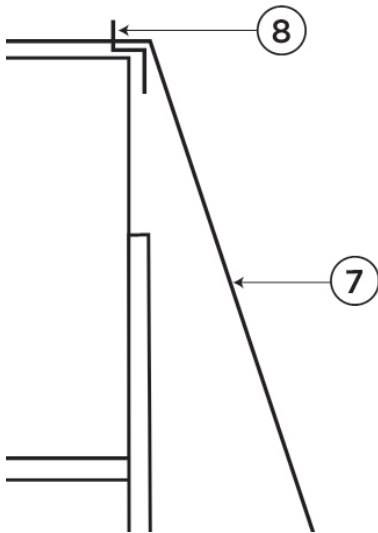
- Attaches safely to EPDM, TPO, PVC, Asphalt and coated roofs without damaging the roof
- U-Anchors match roofing material type and brand
- The 3/16", 7x19 stainless steel wire rope offers a breaking strength of approx. 3700 lbs. *(Other wire rope options available upon request.)*
- Each U-Anchor 2000 Series attachment can resist approx. 3000 lbs. in tension and 4000 lbs. in shear
- The Duct Securement Solution can be used with any duct support
- All exposed components and hardware are stainless steel, aluminum, and other non-corrosive materials
- U-Anchor is accepted by all major North American roofing manufacturers allowing warranties to remain in effect



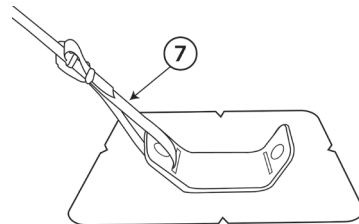
Exceptional strength to secure your Duct System and protect it from external elements



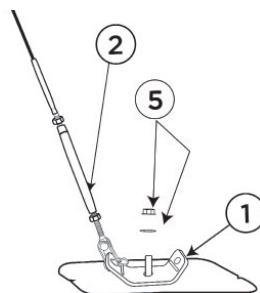
Duct Securement



Equipment Securement Point



U-Anchor Securement Point With Strap



U-Anchor Securement Point

DUCT SECUREMENT SYSTEM INCLUDES:

- 1- 30/30 Bracket
- 2- Turnbuckle
- 3- Thimble
- 4- Mechanical Crimp
- 5- Stainless Steel Flanged Nut and Flat Washers
- 6- U-Anchor 2400
- 7- Stainless Steel Strap or Guy Wire
- 8- Corner Bracket

Options available:

DUC O611 - Duct Securement with strap

ADVANTAGES

The duct securement solution provides an affordable and reliable solution for securing any size or shape of duct system to the roof. Straps and guy-wires are available in lengths of 6' up to 100'.

The 2000 Series U-Anchor, provides superior strength and securement for your duct system, preventing product displacement

Easy to install, without any need for special tools or blocking.

Contact **Anchor Products Technical Services** for assistance with your custom mounting solution.

WARNING! The products included/described herein are protected by patents that are exclusively licensed to Anchor Products (visit www.anchorproducts.com/patents for details). Any use of Anchor's products for anything other than their expressed intended purpose or installation other than according to the written instructions provided by Anchor Products shall void all warranties, representations and promises related to the products and Anchor Products disclaims any and all liability associated with the products in such an event. If you have any questions about the proper use or installation of the products, please contact Anchor Products at 888 575-2131.