



Overview

The **AP Solutions GRD 0100 Roof Mounted Guardrail** is a passive fall protection system that is fully attached and watertight. It is especially designed for workplace safety on low slope rooftops, and utilizes the strength and innovation of Anchor Products' U-Anchor™.

Used as a permanent solution, the **Roof Mounted Guardrail** system's unique design eliminates the cost and danger of potential roof damage caused by counterweights utilized with other guardrail systems.

Designed for all low slope roofs (including single-ply, asphalt and coatings), the **Roof Mounted Guardrail** utilizes the U-Anchor 3000 series to create a watertight solution attached using manufacturer approved roofing fasteners. The U-Anchor provides a low-profile attachment that becomes the basis of an OSHA-compliant barrier for fall protection.

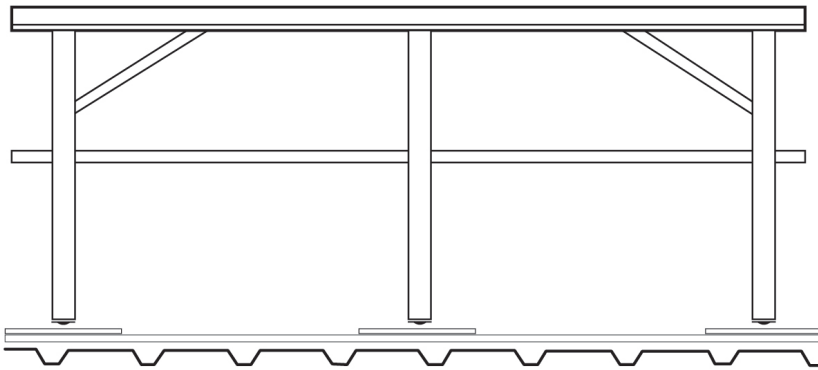
Features:

- Permanent lightweight guardrail system with industry exceeding 10-year warranty that meets and exceeds OSHA regulations 29 CFR 1910.29 and 1926.500 - 1926.503.
- System utilizes FIXFAST USA's KATTSAFE™ Guardrail secured by U-Anchor™ 3000 Series Attachments manufactured using type and brand specific roofing materials to maintain your roof warranty.
- When utilizing the U-Anchors, the return rail is not required.
- The U-Anchor installs in less than 5 minutes. The guardrail system also installs quickly & easily with only two workers - reducing on-site labor expenses.
- The railing system is manufactured of high tensile aluminum and is highly modular to allow for dozens of configurations.
- More options:
 - Supplied in mill finish as standard
 - Custom colors available
 - Toe-board option available
 - Gate assemblies available

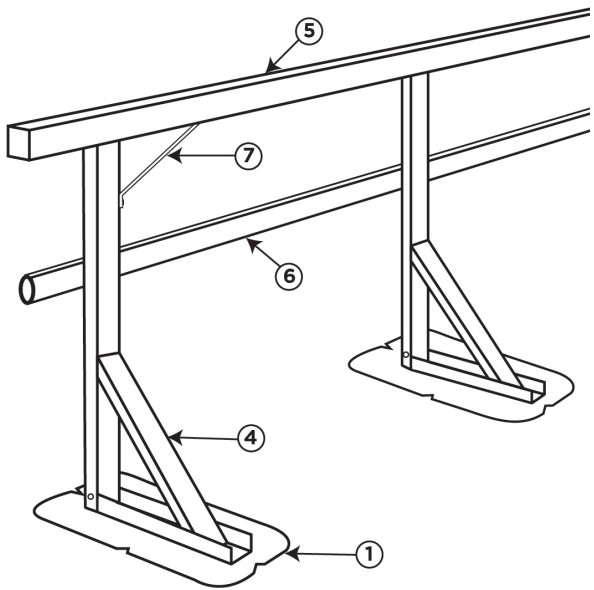


Applications

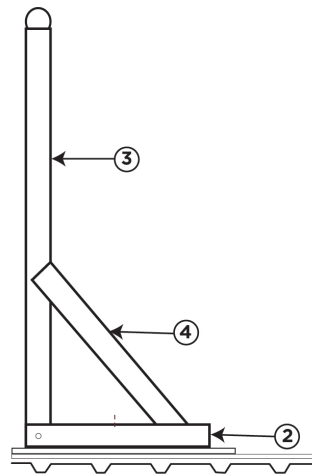
Fall Protection	Skylights
Roof Edge Protection	Hazard Barriers
Roof Hatches	New Building Construction



Assembled Guardrail System



U-Anchor Attachment



U-Anchor Attachment

ROOF MOUNTED GUARDRAIL INCLUDES:

- 1- U-Anchor 3000 Series
- 2- Base Channel
- 3- Vertical Channel
- 4- Support Channel
- 5- Handrail
- 6- Kneerail
- 7- Handrail Brace

Optional:
Corner Rails and Gate Systems

ADVANTAGES:

All exposed components and hardware are made with stainless steel, aluminum, or other non-corrosive materials.

Quick and easy install.

Following manufacturer installation instructions and system will comply with OSHA regulations.

End caps or closure bends on exposed Handrail and Kneerails prevent nesting in the system.

System is custom designed to fit your roof specifications.

Secured by Anchor Products.

WARNING! The products included/described herein are protected by patents that are exclusively licensed to Anchor Products (visit www.anchorproducts.com/patents for details). Any use of Anchor's products for anything other than their expressed intended purpose or installation other than according to the written instructions provided by Anchor Products shall void all warranties, representations and promises related to the products and Anchor Products disclaims any and all liability associated with the products in such an event. If you have any questions about the proper use or installation of the products, please contact Anchor Products at 888-575-2131.