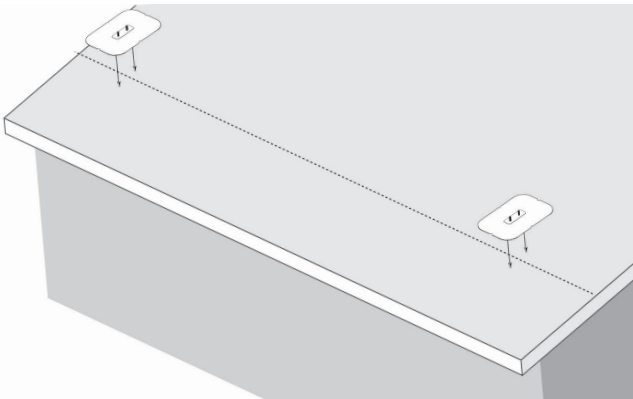


STEP 1

Determine the location of the Snow Fence by measuring 12"- 18" upslope from the outside of the exterior structural load-bearing wall at the eave on both ends of the roof.

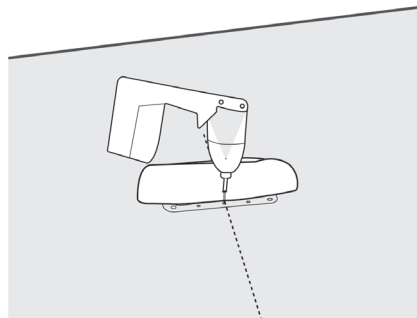
Mark the first row using a chalk line to maintain a straight line (do not use red chalk as it may stain the roof).



STEP 2

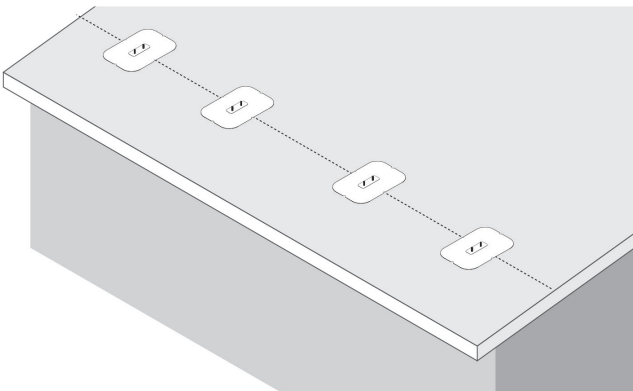
Align the first and last U-Anchors of the run on the chalk line 6"- 12" from the rake edge. Fence cannot cantilever more than 12" beyond the bracket.

Snow fence run(s) cannot exceed 100ft. If more than 100' in length, multiple assemblies will be required along the same line.



STEP 2a

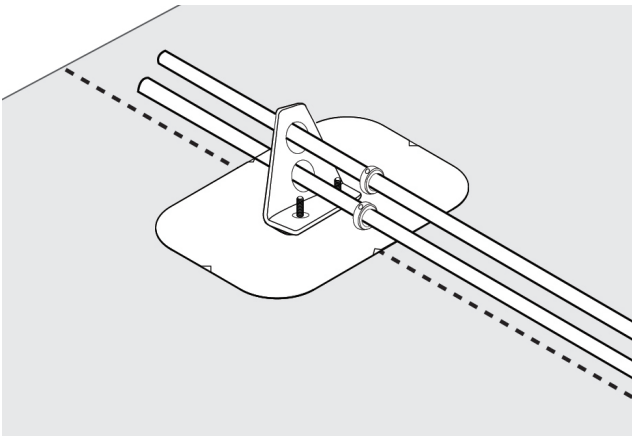
Once aligned, fasten the U-Anchors over the roofing membrane to the deck using the specified type and quantity of fasteners as per design requirements.



STEP 3

Evenly space the remaining U-Anchors on the chalk line not exceeding the design maximum spacing and fasten as in step 2 and 2a.

Confirm proper alignment by inserting the pipes temporarily into the snow brackets and placing on the U-Anchor. Once alignment is confirmed, remove temporary assembly, and properly seal the membrane cover as per roofing manufacturer recommendations.

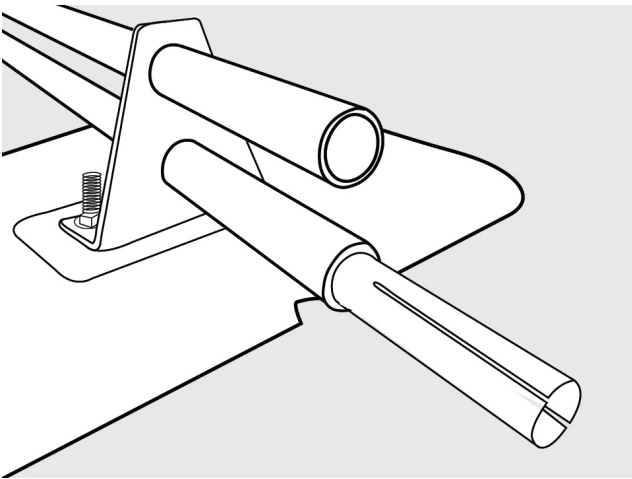


STEP 4

Slide the correct number of brackets onto the first top and bottom pipes. On the first pipe & bracket assembly, a collar should be placed onto the top and bottom pipes inside the first bracket and left loose at this point.

A collar will only be used on the inside of the first and last bracket of a 100' or less assembly.

Place the pre-assembled 8' section of pipe and bracket, onto the U-Anchor 3400-S, installed in Step 3.



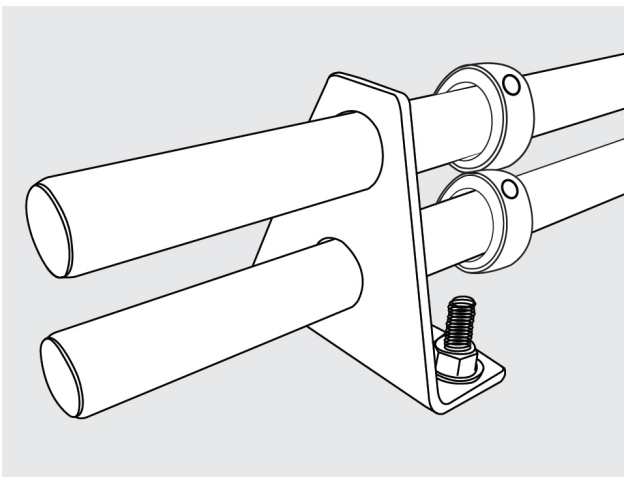
STEP 5

Insert a splice provided into the end of each pipe, tap the splice into the pipe approximately 3" and repeat the step for each 8' section of assembly, connecting the pipe with the splice.

Repeat the process until the end of the Snow Fence run. Splices must **NOT** be within 6" of a bracket. Prior to the last bracket, place a collar on the top and bottom bar.

STEP 6

Connect the bracket using the provided washers and nuts to approx. 20-25 foot pounds each.



STEP 7

Position the collars approximately 1-2" from the inside edge of the first and last bracket of the run and tighten the set screw. Insert the end caps into the end of each of the Snow Fence bars.