



Overview

The 2-Pipe Snow Fence System by Anchor Products™ is a complete snow retention system designed to be used with low-slope roofing materials, giving building owners and contractors a reliable, engineered, and tested solution. The Snow Fence System utilizes U-Anchor™ 3000-S Series for superior strength and confidence when it comes to holding back snow on commercial roofing systems.

Each system is engineered specifically for your location, roof system, and tested by third party engineers. Additionally, our system uses preflashed and prefabricated components, making installation significantly faster while providing a more consistent performance over field fabricated materials.

Our 2-Pipe Snow Fence System is designed to handle extreme loads which allows for fewer attachments and reduced labor.

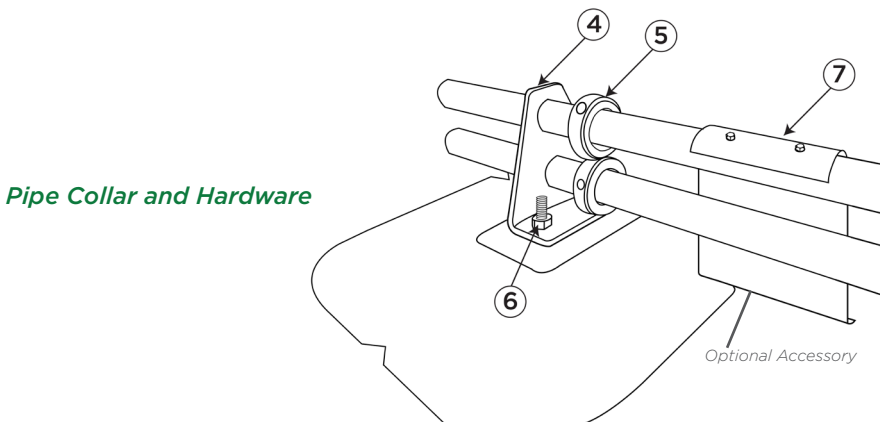
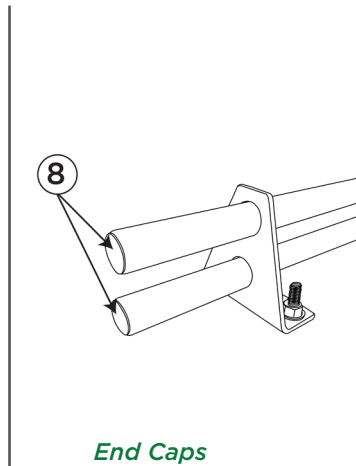
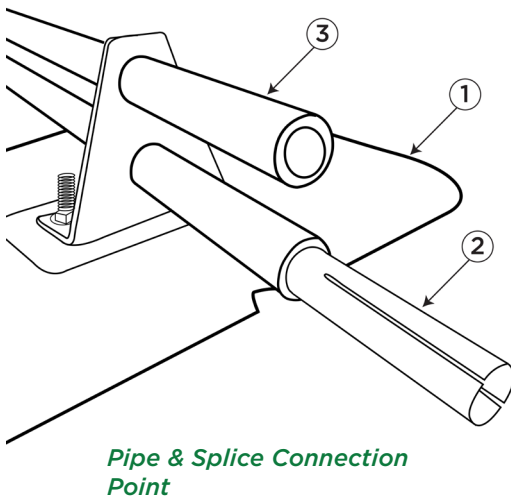
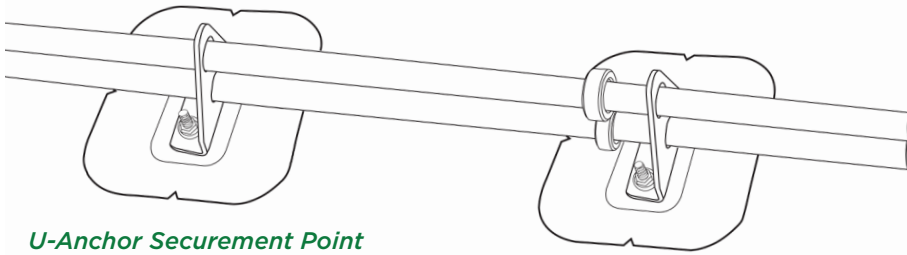
Features:

- Permanent lightweight snow fence with superior waterproofing without the need for compression seals to exceed the long term needs of your project
- Low-profile of snow bars prevents snow creep and typically eliminates the need for snow flags / restrictor plates
- System utilizes U-Anchor 3000-S Series attachments manufactured using type and brand specific roofing materials to maintain your roof warranty
- The U-Anchor installs in less than 5 minutes while the snow fence system installs quickly & easily - reducing on-site labor expenses
- The 2-pipe snow fence system is manufactured of high tensile aluminum and boasts superior loads allowing for increased spacing of brackets - reducing costs
- More options:
 - Supplied in mill finish as standard
 - Custom colors available
 - Engineering assistance available



Snow Fence System Is A Vital Component Of Your Total Roof System

When Designed And Installed Correctly, The Snow Fence System Will Protect Your Building Assets, Your Roof, And Visitors



2-PIPE SNOW FENCE SYSTEM INCLUDES:

- 1- U-Anchor 3000-S Series
- 2- Splice
- 3- 8' x 1" OD Aluminum Pipe
- 4- Snow Bracket
- 5- Pipe Collar
- 6- Flange Nut and Washers
- 7- Restrictor Plate *(Optional)*
- 8- End Caps

ADVANTAGES

U-Anchor 3000-S Series anchors are compatible with all major commercial roof types and brands.

3000-S Series anchors are watertight and tested for load capacity.

Easily installed with minimal parts.

Snow Fence brackets and pipes are made with corrosion resistant aluminum.

Snow Fence System can be installed any time of the year.

WARNING! The products included/described herein are protected by patents that are exclusively licensed to Anchor Products (visit www.anchorproducts.com/patents for details). Any use of Anchor's products for anything other than their expressed intended purpose or installation other than according to the written instructions provided by Anchor Products shall void all warranties, representations and promises related to the products and Anchor Products disclaims any and all liability associated with the products in such an event. If you have any questions about the proper use or installation of the products, please contact Anchor Products at 888 575-2131.