

# Product Data Sheet: U-Anchor 2600 SBS Adhered™

Provides a positive attachment of the U-Anchor 2600 SBS Adhered for Built-up and SBS roof systems

## Product Description:

The **U-Anchor 2600 SBS Adhered** is a lightweight rooftop attachment system consisting of a 5.5" U-Anchor Plate with a 3/8"-16 x 1-3/8" tall stainless steel stud. The U-Anchor 2600 SBS Adhered includes a factory prepared SBS cover. The cover is adhered over the U-Anchor Plate, and is sealed using traditional cold process adhesive methods.

## Advantages:

- \* Lightweight: 24 oz. (680 grams)
- \* Installs quickly, approximate rate of 12 per man hour.
- \* Installs on any surface from flat to vertical

## Packaging:

The U-Anchor Plate & Cover are packaged separately

Units sold individually

Full box quantities: 10 units

## Attachment:

The U-Anchor 2600 SBS Adhered is attached by fastening through the roofing assembly into the structural decking with standard fasteners. The SBS cover is adhered using roofing manufacturer adhesive and in accordance with standard flashing details.

## Testing, Approvals and Listings:

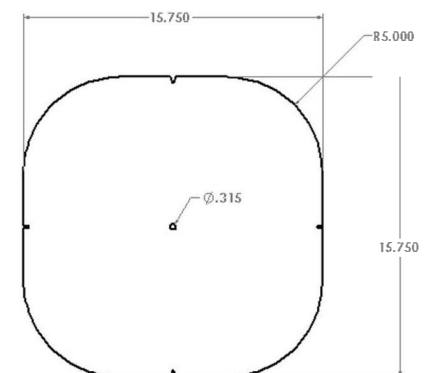
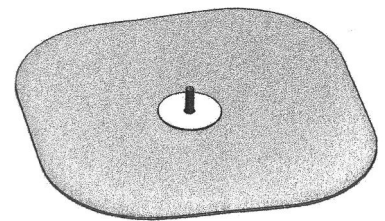
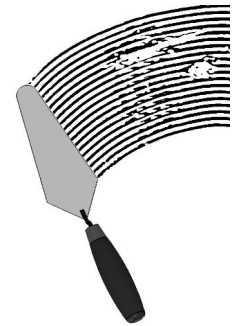
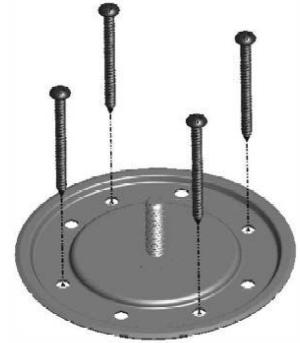
The U-Anchor 2600 SBS Adhered was tested in accordance with: ASCE 7-05 ASTM E330-02 (2010) TAS 117B. Test reports can be requested on-line or through your distributor.

## Warranty:

10 year standard material warranty

Up to 20 year material warranty available

*The product with 1000 uses!*



 Anchor Products™

P.O. Box 1551  
Colleyville, TX 76034  
Info@anchorcorp.com

888-575-2131  
www.anchorcorp.com



Patent: Search "Plate"  
at [www.Vmarked.com](http://www.Vmarked.com)