

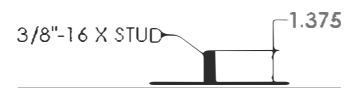
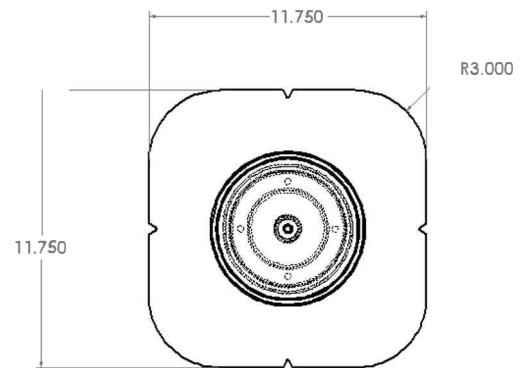
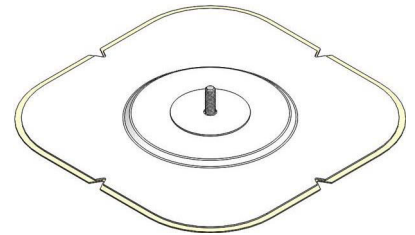
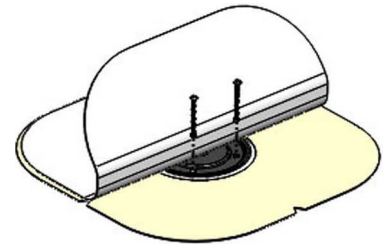
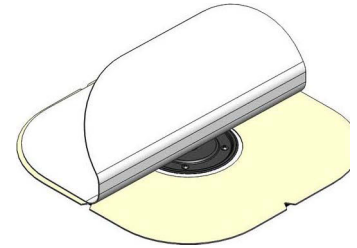
Product Data Sheet: U-Anchor 2400 EPDM™

Provides a positive attachment of the U-Anchor 2400 EPDM for mechanically attached or fully adhered EPDM Roof Membranes

Product Description:

The **U-Anchor 2400 EPDM** is a lightweight rooftop attachment system comprised of a U-Anchor plate with a 3/8"-16 x 1- 3/8" tall stainless steel stud and a Peel & Stick EPDM Flashing. The U-Anchor 2400 EPDM provides a positive, watertight, manufacturer accepted attachment for mechanically attached or fully adhered EPDM roof membranes. The U-Anchor 2400 EPDM offers an effective expansion joint at each rooftop attachment point and minimizes stress to roof components.

The product with 1000 uses!



Advantages:

- * Lightweight: 8oz. (227g) Weight varies dependent upon membrane.
- * Installs quickly, approximate rate of 12 per man hour.
- * Installs on any surface from flat to vertical.
- * Consistent with traditional EPDM installation methods
- * Accepted by EPDM roof manufacturers

Packaging:

U-Anchor 2400 EPDM is sold as a kit including a U-Anchor 2400 EPDM and the Stick & Peel EPDM Flashing. Units sold individually

Full box quantities: 10 units

Attachment:

The U-Anchor 2400 EPDM is attached by securing the U-Anchor Plate using 2-8 approved fasteners. The U-Anchor 2400 EPDM must be adhered to the primed roof membrane using traditional EPDM installation methods.

Testing, Approvals and Listings:

The U-Anchor 2400 EPDM was tested in accordance with: ASCE 7-05 ASTM E330-02 (2010)TAS 117B. Test reports can be requested online or through your distributor.

Warranty:

10 year standard material warranty
Up to 20 year material warranty available

 Anchor Products™

P.O. Box 1551
Colleyville, TX 76034
Info@anchorcorp.com

888-575-2131
www.anchorcorp.com



Patent: Search "Plate"
at www.Vmarked.com